

Model No :: **24003LEDDLDP-BGL/CLR**  
 Name :: The District



Project Name :: \_\_\_\_\_  
 Location :: \_\_\_\_\_  
 Type :: \_\_\_\_\_  
 Quantity :: \_\_\_\_\_  
 Notes :: \_\_\_\_\_

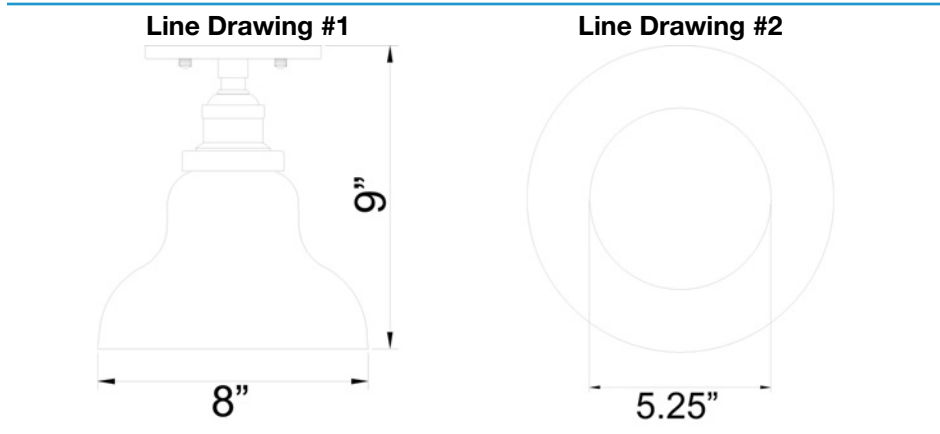
Product Information
Product ID :: 24003
UPC Code :: 641594224009
Mounting Type :: Ceiling
Finish :: Black and Gold (BGL)
Diffuser :: Clear (CLR)

*See Page 2 for Custom Product Options*

Product Dimensions	
<b>Fixture</b>	<b>Canopy</b>
Length :: N/A	Length :: N/A
Width :: N/A	Width :: N/A
Diameter :: 8"	Diameter :: 5.25"
Extension :: N/A	Height :: N/A
Height :: 9"	
Overall Height :: N/A	

**Technical Specifications**

Qualifications	Specifications	Voltage	Recommended Dimmers
Location Rating :: Ceiling	Frame Material :: Metal	Voltage :: 120v	(ELV) LUTRON Skylark SELV-300P; (MLV) COOPER Aspire 9530SW; (TRIAC) LEGRAND Titan CD703-PW
Certification :: cULus	Diffuser Material:: Glass	<b>Photometrics</b>	
IES File :: No	Lamping Type :: N/A	CCT :: 2200K	
Title 24 :: No	Lamping Base :: E-26	CRI :: 80	
Energy Star :: No	Lamp Quantity :: 1	Wattage :: 5	
ADA Compliant :: No	Lamp Wattage :: 5 W	Nominal Lumens :: 380	
Marine Grade :: No	Total Wattage :: 5 W	Delivered Lumens :: N/A	
Emergency Lighting :: No	Lamps Included :: Yes		
Warranty :: 1 Year Manufacture	J-Box Type :: Standard 4		



**IES File**

Image Not Available

**Toll Free 800-828-5483 or www.AccessLighting.com**

14410 Myford Road, Irvine, CA 92606  
 The information provided is subject to change without notice. ©2018 Access Lighting Corporation. All Rights Reserved  
 Rev. 4/6/2018 Filename:: 24003LEDDLDP-BGL\_CLR.pdf

