

Model No :: **24002LEDDL P-BGL**
 Name :: The District



Project Name :: _____
 Location :: _____
 Type :: _____
 Quantity :: _____
 Notes :: _____

Product Information
Product ID :: 24002
UPC Code :: 641594224153
Mounting Type :: Ceiling
Finish :: Black and Gold (BGL)
Diffuser :: N/A

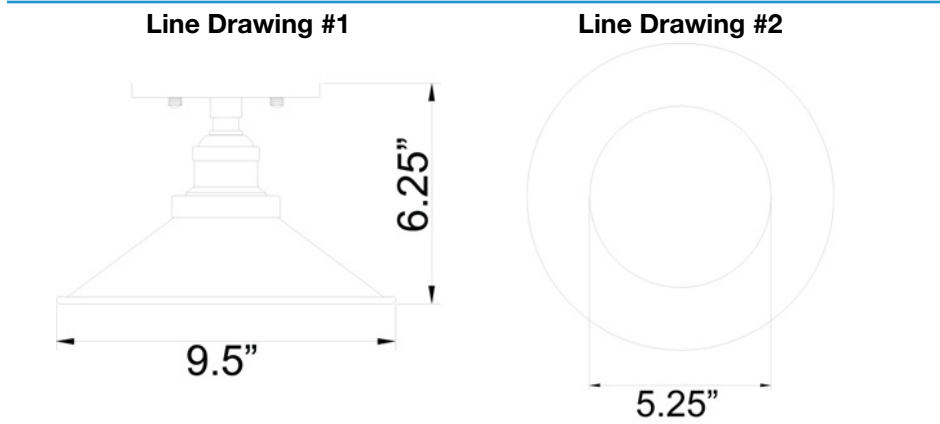
See Page 2 for Custom Product Options

Product Dimensions	
Fixture	Canopy
Length :: N/A	Length :: N/A
Width :: N/A	Width :: N/A
Diameter :: 9.5"	Diameter :: 5.25"
Extension :: N/A	Height :: N/A
Height :: 6.25"	
Overall Height :: N/A	



Technical Specifications

Qualifications	Specifications	Voltage	Recommended Dimmers
Location Rating :: Ceiling	Frame Material :: Metal	Voltage :: 120v	(ELV) LUTRON Skylark SELV-300P; (MLV) COOPER Aspire 9530SW; (TRIAC) LEGRAND Titan CD703-PW
Certification :: cULus	Diffuser Material :: N/A		
IES File :: No	Lamping Type :: N/A	Photometrics	
Title 24 :: No	Lamping Base :: E-26	CCT :: 2200K	
Energy Star :: No	Lamp Quantity :: 1	CRI :: 80	
ADA Compliant :: No	Lamp Wattage :: 5 W	Wattage :: 5	
Marine Grade :: No	Total Wattage :: 5 W	Nominal Lumens :: 380	
Emergency Lighting :: No	Lamps Included :: Yes	Delivered Lumens :: N/A	
Warranty :: 1 Year Manufacture	J-Box Type :: Standard 4		



IES File

Image Not Available

Toll Free 800-828-5483 or www.AccessLighting.com

14410 Myford Road, Irvine, CA 92606

The information provided is subject to change without notice. ©2018 Access Lighting Corporation. All Rights Reserved
 Rev. 4/6/2018 Filename:: 24002LEDDL P-BGL.pdf

