

Model No :: **23883LEDDL-CP/GLD**
 Name :: Bistro



Project Name :: _____
 Location :: _____
 Type :: _____
 Quantity :: _____
 Notes :: _____

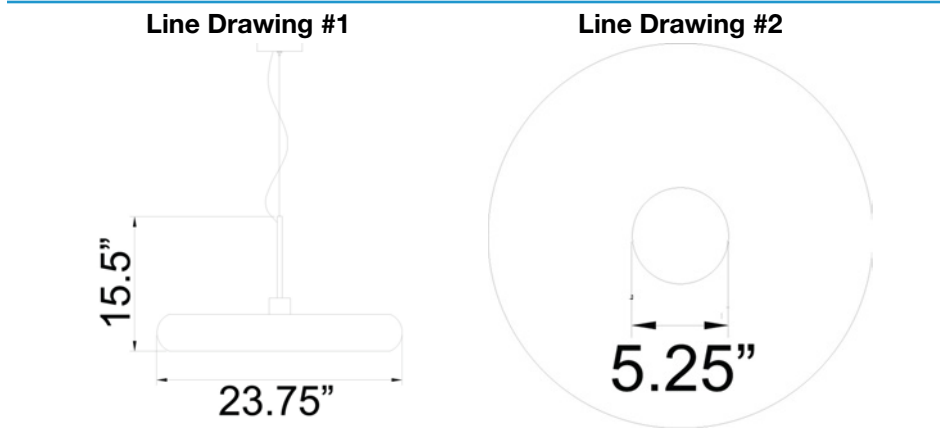
Product Information
Product ID :: 23883
UPC Code :: 641594224214
Mounting Type :: Ceiling
Finish :: Copper and Gold (CP/GLD)
Diffuser :: N/A

See Page 2 for Custom Product Options

Product Dimensions	
Fixture	Canopy
Length :: N/A	Length :: N/A
Width :: N/A	Width :: N/A
Diameter :: 23.75"	Diameter :: 5.25"
Extension :: N/A	Height :: N/A
Height :: 15.5"	
Overall Height :: 135.5" Max.	

Technical Specifications

Qualifications	Specifications	Voltage	Recommended Dimmers
Location Rating :: Ceiling	Frame Material :: Aluminum	Voltage :: 120v	(TRIAC) LEVITON Surslide 6631;
Certification :: cULus	Diffuser Material :: N/A		(TRIAC) LEVITON illumatech
IES File :: No	Lamping Type :: N/A	Photometrics	IPI06; (TRIAC) LUTRON Ariadni/
Title 24 :: No	Lamping Base :: E-26	CCT :: 3000K	Toggle TGCL-153P; (TRIAC)
Energy Star :: No	Lamp Quantity :: 1	CRI :: 83	LUTRON Skylark S-603PG
ADA Compliant :: No	Lamp Wattage :: 12 W	Wattage :: 12	
Marine Grade :: No	Total Wattage :: 12 W	Nominal Lumens :: 950	
Emergency Lighting :: No	Lamps Included :: Yes	Delivered Lumens :: 950	
Warranty :: 1 Year Manufacture	J-Box Type :: Standard 4		



IES File

Image Not Available

Toll Free 800-828-5483 or www.AccessLighting.com

14410 Myford Road, Irvine, CA 92606

The information provided is subject to change without notice. ©2018 Access Lighting Corporation. All Rights Reserved
 Rev. 4/6/2018 Filename:: 23883LEDDL-CP_GLD.pdf

