

Model No :: **23765-BSL**
 Name :: SoHo



Project Name :: _____
 Location :: _____
 Type :: _____
 Quantity :: _____
 Notes :: _____

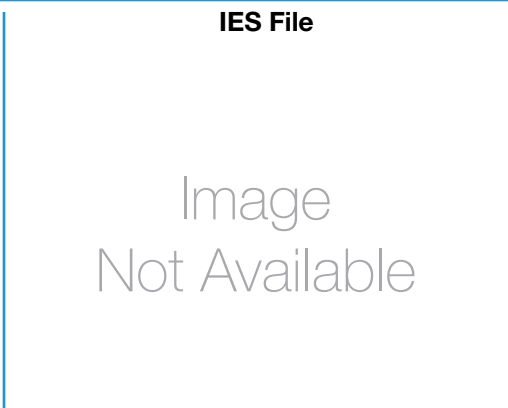
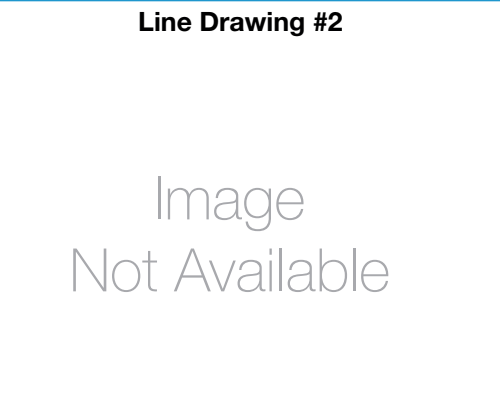
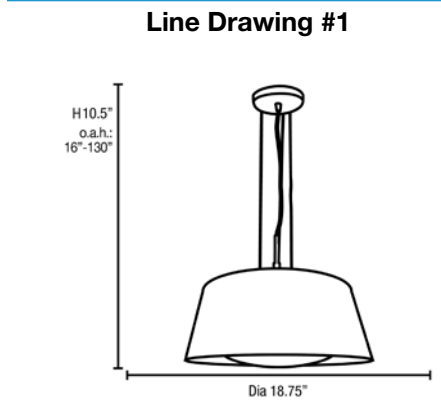
Product Information	
Product ID ::	23765
UPC Code ::	641594176674
Mounting Type ::	Ceiling
Finish ::	Brushed Silver (BSL)
Diffuser ::	N/A

See Page 2 for Custom Product Options

Product Dimensions			
Fixture		Canopy	
Length ::	N/A	Length ::	N/A
Width ::	N/A	Width ::	N/A
Diameter ::	18.75"	Diameter ::	N/A
Extension ::	N/A	Height ::	N/A
Height ::	10.5"		
Overall Height ::	130.5" Max.		

Technical Specifications

Qualifications	Specifications	Voltage	Recommended Dimmers
Location Rating :: Ceiling	Frame Material :: Metal	Voltage :: 120v	(TRIAC) Any Standard Dimmer
Certification :: cETLus	Diffuser Material :: N/A		
IES File :: No	Lamping Type :: Replaceable LED	Photometrics	
Title 24 :: No	Lamping Base :: E-26	CCT :: 2700K	
Energy Star :: No	Lamp Quantity :: 3	CRI :: N/A	
ADA Compliant :: No	Lamp Wattage :: 60 W	Wattage :: 60	
Marine Grade :: No	Total Wattage :: 180 W	Nominal Lumens :: 2400	
Emergency Lighting :: No	Lamps Included :: No	Delivered Lumens :: N/A	
Warranty :: 1 Year Manufacture	J-Box Type :: Standard 4		



Toll Free 800-828-5483 or www.AccessLighting.com

14410 Myford Road, Irvine, CA 92606

The information provided is subject to change without notice. ©2018 Access Lighting Corporation. All Rights Reserved
 Rev. 4/6/2018 Filename:: 23765-BSL.pdf

