

Model No :: **23007LEDDMG-BRZ/ACR**
 Name :: Band



Project Name :: _____
 Location :: _____
 Type :: _____
 Quantity :: _____
 Notes :: _____

Product Information

Product ID :: 23007
 UPC Code :: 641594223453
 Mounting Type :: Wall
 Finish :: Bronze (BRZ)
 Diffuser :: Acrylic Lens (ACR)

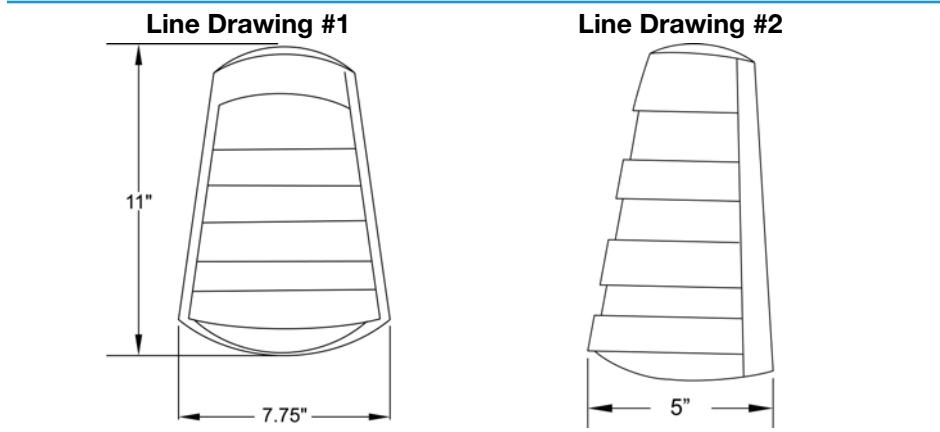
See Page 2 for Custom Product Options

Product Dimensions

Fixture	Canopy
Length :: N/A	Length :: N/A
Width :: 7.75"	Width :: N/A
Diameter :: N/A	Diameter :: N/A
Extension :: 5"	Height :: N/A
Height :: 11"	
Overall Height :: N/A	

Technical Specifications

Qualifications	Specifications	Voltage	Recommended Dimmers
Location Rating :: Wall	Frame Material :: Aluminum	Voltage :: 120v	(ELV) LUTRON Caseta PD - 6WCL; (ELV) LUTRON Maestro CL MACL-153M; (ELV) LUTRON Skylark Contour CTCL-153P; (TRIAC) LEVITON Decora Sureslide 6674; (TRIAC) LUTRON Diva DVCL-153P
Certification :: cETLus	Diffuser Material:: Acrylic	Photometrics	
IES File :: No	Lamping Type :: N/A	CCT :: 3000K	
Title 24 :: No	Lamping Base :: SSL	CRI :: 90	
Energy Star :: No	Lamp Quantity :: 1	Wattage :: 15	
ADA Compliant :: No	Lamp Wattage :: 15 W	Nominal Lumens :: 1980	
Marine Grade :: Yes	Total Wattage :: 15 W	Delivered Lumens :: N/A	
Emergency Lighting :: No	Lamps Included :: Yes		
Warranty :: 5 Year Manufacture	J-Box Type :: Standard 4		



IES File

Image Not Available

Toll Free 800-828-5483 or www.AccessLighting.com

14410 Myford Road, Irvine, CA 92606

The information provided is subject to change without notice. ©2018 Access Lighting Corporation. All Rights Reserved
 Rev. 4/6/2018 Filename:: 23007LEDDMG-BRZ_ACR.pdf

