

Model No :: **20782LEDD-WH/ACR**
 Name :: Mini



Project Name :: _____
 Location :: _____
 Type :: _____
 Quantity :: _____
 Notes :: _____

Product Information
Product ID :: 20782
UPC Code :: 641594198058
Mounting Type :: N/A
Finish :: White (WH)
Diffuser :: Acrylic Lens (ACR)

See Page 2 for Custom Product Options

Product Dimensions	
Fixture	Canopy
Length :: N/A	Length :: N/A
Width :: N/A	Width :: N/A
Diameter :: 5.5"	Diameter :: N/A
Extension :: N/A	Height :: N/A
Height :: 1"	
Overall Height :: N/A	



Technical Specifications

Qualifications	Specifications	Voltage	Recommended Dimmers
Location Rating :: N/A	Frame Material :: Metal	Voltage :: 120v	(TRIAC) LEVITON Trimatron 6684; (TRIAC) LUTRON Skylark S-600 or S-600P
Certification :: cULus	Diffuser Material:: Acrylic	Photometrics	
IES File :: No	Lamping Type :: N/A	CCT :: 3000K	
Title 24 :: Yes	Lamping Base :: SSL	CRI :: 80	
Energy Star :: No	Lamp Quantity :: 1	Wattage :: 7	
ADA Compliant :: No	Lamp Wattage :: 7 W	Nominal Lumens :: 550	
Marine Grade :: No	Total Wattage :: 7 W	Delivered Lumens :: 437	
Emergency Lighting :: No	Lamps Included :: Yes		
Warranty :: 5 Year Manufacture	J-Box Type :: Standard 4		

Line Drawing #1

Line Drawing #2

IES File

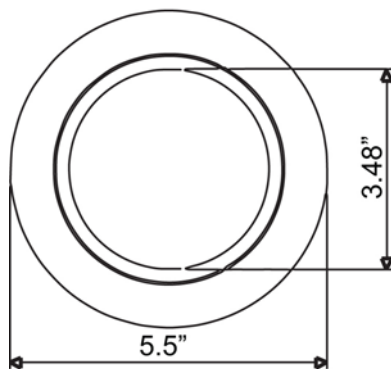


Image Not Available

Toll Free 800-828-5483 or www.AccessLighting.com

14410 Myford Road, Irvine, CA 92606

The information provided is subject to change without notice. ©2018 Access Lighting Corporation. All Rights Reserved
 Rev. 4/6/2018 Filename:: 20782LEDD-WH_ACR.pdf

