



# INSTALLATION INSTRUCTIONS

## IMPORTANT

Before assembling your ACCESS LIGHTING fixture, please make sure that you carefully read through this instruction sheet.

CONSULT A QUALIFIED ELECTRICIAN TO ENSURE CORRECT BRANCH CIRCUIT CONDUCTOR.

CONSULTER UN ELECTRICIEN QUALIFIE POUR VOUS ASSURER QUE LES CONDUCTEURS DE LA DERIVATION SONT ADEQUATS

THIS PRODUCT MUST BE INSTALLED IN ACCORDANCE WITH THE APPLICABLE INSTALLATION CODE BY A PERSON FAMILIAR WITH THE CONSTRUCTION AND OPERATION OF THE PRODUCT AND THE HAZARDS INVOLVED.

CE PRODUIT DOIT ETRE INSTALLE SELON LE CODE D'INSTALLATION PERTINENT, PAR UNE PERSONNE QUI CONNAIT BIEN LE PRODUIT ET SON FONCTIONNEMENT AINSI QUE LES RISQUES INHERENTS

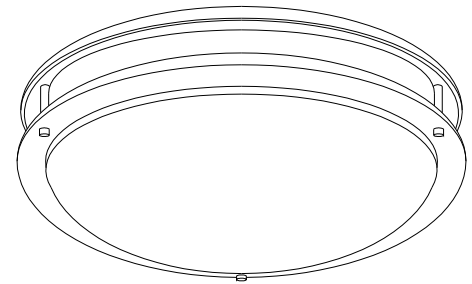
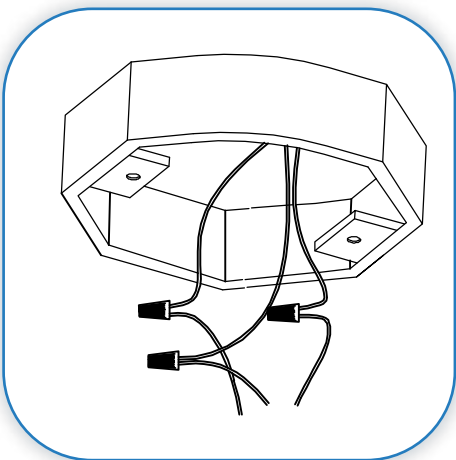
**NOTE:** The important safeguards and instructions that appear in this manual are not meant to cover all possible conditions and situations that may occur. It must be understood that common sense, caution and care, are factors that can't be built into any product. These factors must be supplied by the person(s) caring for and operating the fixture.

## GENERAL INFORMATION

All electrical connections must be in accordance with all ordinances, Local and National Electrical Codes. These fixtures are intended for mounting to a standard 4" x 2 1/2" metal octagon outlet box. The box must be directly supported by the building structure and U.L. Recognized.

## STEP BY STEP INSTRUCTIONS

Before starting your installation disconnect the Power by turning off the Circuit Breaker or by removing the fuse at the fuse box. Just turning the light off at the light switch is not sufficient to prevent electrical shock.



## COLLECTION

SOLERO

## APPLICATION

Ceiling

## MODEL NO.

20464LEDD  
20465LEDD  
20466LEDD  
20467LEDD

## WHAT WE PROVIDE

- Mounting Hardware
- 1 x Acrylic Shade
- 1 x Metal frame
- LED

## WHAT YOU NEED

- Screwdriver
- Wire Cutters
- Wiring Supplies as Specified by Electrical Code

## PREPARE FIXTURE

1

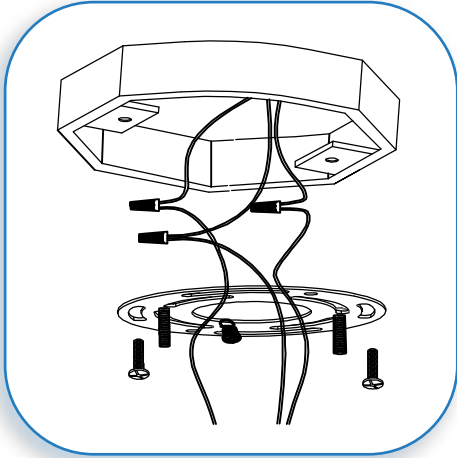
If there is an existing fixture remove it.

Expose the supply wires from the J-box .

Connect the black supply wire to the black fixture wire.

Secure with the supplied wire nut. Connect the white supply wire to the white fixture wire. Secure with the supplied wire nut. Either wrap the green wire around one of the protruding screws or connect it to the supply ground wire.

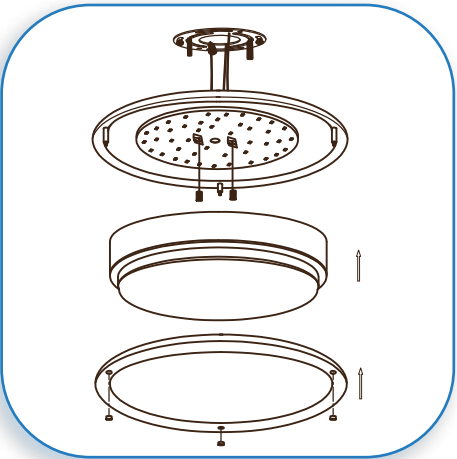
Secure all wires with U.L. Certified electrical tape (not supplied). Tuck all wires carefully into the J-Box.



2

### MOUNT THE CROSSBAR

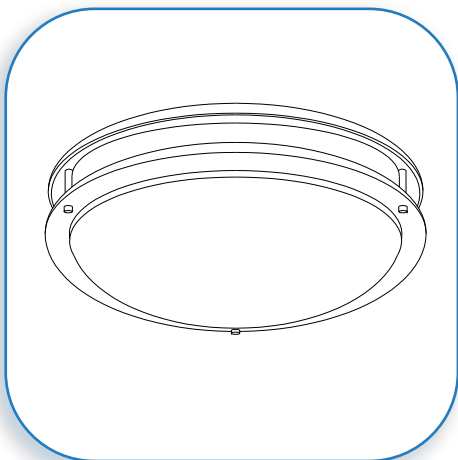
Mount the crossbar up to the J-box.  
Secure with the supplied screws.



3

### MOUNT THE FIXTURE

Mount the fixture canopy up to the crossbar.  
Secure with the supplied screw knobs.  
Place metal frame over the acrylic shade and hold up to the canopy aligning the holes with the threaded rods.  
Secure with the supplied nuts.



4

### RESTORE THE ELECTRICITY AND CHECK THE OPERATION OF YOUR NEW ACCESS LIGHTING FIXTURE

**CAUTION**

If the fixture is to be removed or replaced, please ensure that the electricity is switched off and that the fitting is cool before touching it.