

Model No :: **20451-BS/OPL**  
 Name :: Vector



Project Name :: \_\_\_\_\_  
 Location :: \_\_\_\_\_  
 Type :: \_\_\_\_\_  
 Quantity :: \_\_\_\_\_  
 Notes :: \_\_\_\_\_

**Product Information**

Product ID :: 20451  
 UPC Code :: 641594192193  
 Mounting Type :: Wall  
 Finish :: Brushed Steel (BS)  
 Diffuser :: Opal (OPL)

*See Page 2 for Custom Product Options*

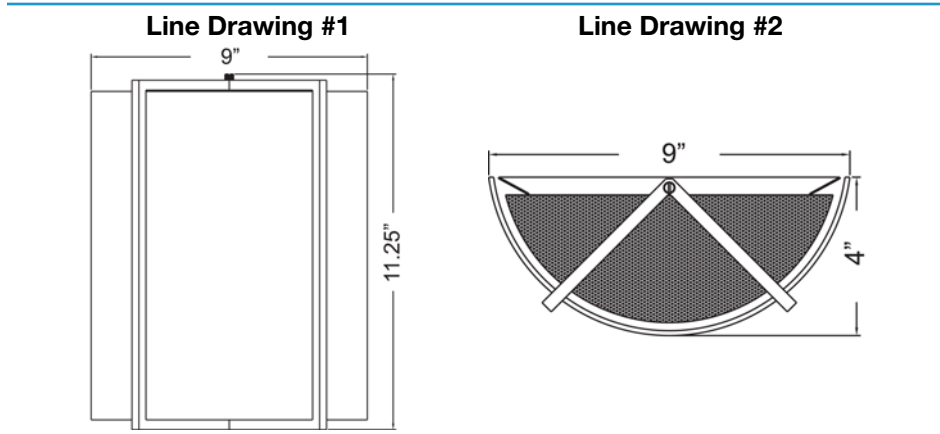
**Product Dimensions**

| Fixture               | Canopy          |
|-----------------------|-----------------|
| Length :: N/A         | Length :: N/A   |
| Width :: 9"           | Width :: N/A    |
| Diameter :: N/A       | Diameter :: N/A |
| Extension :: 4"       | Height :: N/A   |
| Height :: 11.25"      |                 |
| Overall Height :: N/A |                 |



**Technical Specifications**

| Qualifications                 | Specifications             | Voltage                 | Recommended Dimmers |
|--------------------------------|----------------------------|-------------------------|---------------------|
| Location Rating :: Wall        | Frame Material :: Metal    | Voltage :: 120v         | N/A                 |
| Certification :: cULus         | Diffuser Material :: Glass | <b>Photometrics</b>     |                     |
| IES File :: No                 | Lamping Type :: N/A        | CCT :: 2700K            |                     |
| Title 24 :: No                 | Lamping Base :: GU-24      | CRI :: N/A              |                     |
| Energy Star :: No              | Lamp Quantity :: 2         | Wattage :: 13           |                     |
| ADA Compliant :: Yes           | Lamp Wattage :: 13 W       | Nominal Lumens :: 1800  |                     |
| Marine Grade :: No             | Total Wattage :: 26 W      | Delivered Lumens :: N/A |                     |
| Emergency Lighting :: No       | Lamps Included :: Yes      |                         |                     |
| Warranty :: 1 Year Manufacture | J-Box Type :: Standard 4   |                         |                     |



**IES File**

Image Not Available

**Toll Free 800-828-5483 or www.AccessLighting.com**

14410 Myford Road, Irvine, CA 92606  
 The information provided is subject to change without notice. ©2018 Access Lighting Corporation. All Rights Reserved  
 Rev. 4/6/2018 Filename:: 20451-BS\_OPL.pdf

