

Model No :: **20446LEDD-BS/WHT**
 Name :: Prong



Project Name :: _____
 Location :: _____
 Type :: _____
 Quantity :: _____
 Notes :: _____

Product Information	
Product ID ::	20446
UPC Code ::	641594195651
Mounting Type ::	Wall
Finish ::	Brushed Steel (BS)
Diffuser ::	White (WHT)

See Page 2 for Custom Product Options

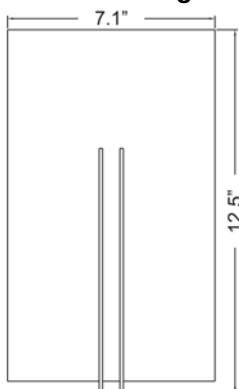
Product Dimensions		
Fixture		Canopy
Length ::	N/A	Length :: 11.25"
Width ::	7.1"	Width :: 6.75"
Diameter ::	N/A	Diameter :: N/A
Extension ::	3.75"	Height :: 0.5"
Height ::	12.5"	
Overall Height ::	N/A	



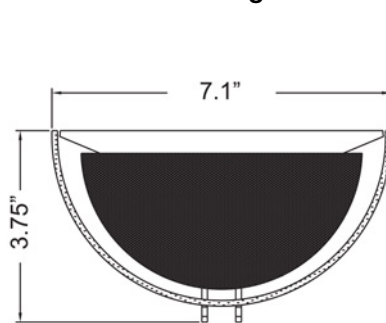
Technical Specifications

Qualifications	Specifications	Voltage	Recommended Dimmers
Location Rating :: Wall	Frame Material :: Steel	Voltage :: 120v	(ELV) LUTRON Diva DVELV-300P; (ELV) LUTRON Diva DVELV-303P; (ELV) LUTRON Skylark SELV-300P
Certification :: cULus	Diffuser Material:: Glass		
IES File :: No	Lamping Type :: N/A	Photometrics	
Title 24 :: No	Lamping Base :: SSL	CCT :: 3000K	
Energy Star :: Yes	Lamp Quantity :: 1	CRI :: 90	
ADA Compliant :: Yes	Lamp Wattage :: 16 W	Wattage :: 16	
Marine Grade :: No	Total Wattage :: 16 W	Nominal Lumens :: 1650	
Emergency Lighting :: No	Lamps Included :: Yes	Delivered Lumens :: 840	
Warranty :: 5 Year Manufacture	J-Box Type :: Standard 4		

Line Drawing #1



Line Drawing #2



IES File

Image
Not Available

Toll Free 800-828-5483 or www.AccessLighting.com

14410 Myford Road, Irvine, CA 92606

The information provided is subject to change without notice. ©2018 Access Lighting Corporation. All Rights Reserved
 Rev. 4/6/2018 Filename:: 20446LEDD-BS_WHT.pdf

