

Model No :: **20375LEDMGLP-BRZ/FST**  
 Name :: Nymph



Project Name :: \_\_\_\_\_  
 Location :: \_\_\_\_\_  
 Type :: \_\_\_\_\_  
 Quantity :: \_\_\_\_\_  
 Notes :: \_\_\_\_\_

**Product Information**

Product ID :: 20375  
 UPC Code :: 641594200805  
 Mounting Type :: Wall  
 Finish :: Bronze (BRZ)  
 Diffuser :: Frosted (FST)

*See Page 2 for Custom Product Options*

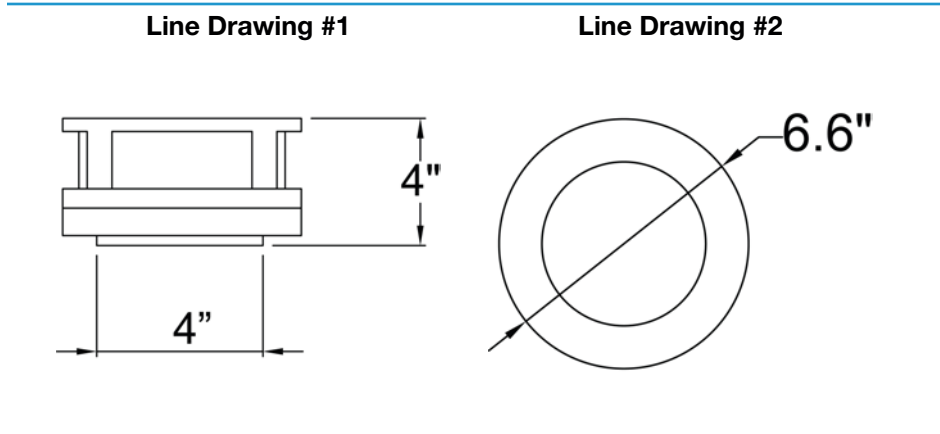
**Product Dimensions**

Fixture	Canopy
Length :: N/A	Length :: N/A
Width :: N/A	Width :: N/A
Diameter :: 6.6"	Diameter :: N/A
Extension :: 4"	Height :: 0.4"
Height :: N/A	
Overall Height :: N/A	



**Technical Specifications**

Qualifications	Specifications	Voltage	Recommended Dimmers
Location Rating :: Wall	Frame Material :: Aluminum	Voltage :: 120v	N/A
Certification :: cETLus	Diffuser Material :: Glass		
IES File :: No	Lamping Type :: N/A	<b>Photometrics</b>	
Title 24 :: No	Lamping Base :: GU-24	CCT :: 3000K	
Energy Star :: No	Lamp Quantity :: 1	CRI :: 85	
ADA Compliant :: Yes	Lamp Wattage :: 10 W	Wattage :: 10	
Marine Grade :: Yes	Total Wattage :: 10 W	Nominal Lumens :: 900	
Emergency Lighting :: No	Lamps Included :: Yes	Delivered Lumens :: N/A	
Warranty :: 1 Year Manufacture	J-Box Type :: Standard 4		



**IES File**

Image  
Not Available

**Toll Free 800-828-5483 or www.AccessLighting.com**

14410 Myford Road, Irvine, CA 92606  
 The information provided is subject to change without notice. ©2018 Access Lighting Corporation. All Rights Reserved  
 Rev. 4/6/2018 Filename:: 20375LEDMGLP-BRZ\_FST.pdf

