

Model No :: **20363LEDDL-PL-BL**  
 Name :: Poseidon



Project Name :: \_\_\_\_\_  
 Location :: \_\_\_\_\_  
 Type :: \_\_\_\_\_  
 Quantity :: \_\_\_\_\_  
 Notes :: \_\_\_\_\_

**Product Information**

Product ID :: 20363  
 UPC Code :: 641594216516  
 Mounting Type :: Wall  
 Finish :: Black (BL)  
 Diffuser :: N/A

*See Page 2 for Custom Product Options*

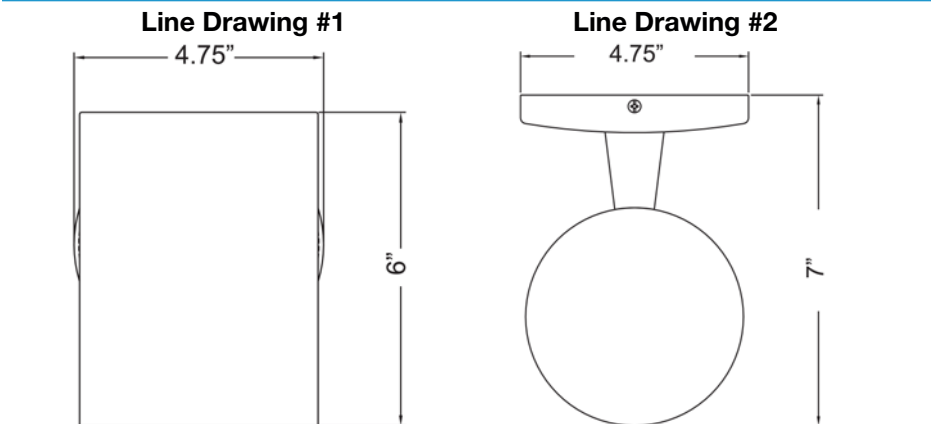
**Product Dimensions**

Fixture	Canopy
Length :: N/A	Length :: N/A
Width :: 4.75"	Width :: N/A
Diameter :: N/A	Diameter :: N/A
Extension :: 7"	Height :: 0.4"
Height :: 6"	
Overall Height :: N/A	



**Technical Specifications**

Qualifications	Specifications	Voltage	Recommended Dimmers
Location Rating :: Wall	Frame Material :: Steel	Voltage :: 120v	(ELV) LUTRON Skylark SELV-300P; (MLV) COOPER Aspire 9530SW; (TRIAC) LEGRAND Titan CD703-PW
Certification :: cULus	Diffuser Material :: N/A	<b>Photometrics</b>	
IES File :: No	Lamping Type :: N/A	CCT :: 3000K	
Title 24 :: No	Lamping Base :: E-26	CRI :: N/A	
Energy Star :: No	Lamp Quantity :: 1	Wattage :: 9	
ADA Compliant :: No	Lamp Wattage :: 9 W	Nominal Lumens :: 800	
Marine Grade :: No	Total Wattage :: 9 W	Delivered Lumens :: N/A	
Emergency Lighting :: No	Lamps Included :: Yes		
Warranty :: 1 Year Manufacture	J-Box Type :: Standard 4		



**IES File**

Image Not Available

**Toll Free 800-828-5483 or www.AccessLighting.com**

14410 Myford Road, Irvine, CA 92606

The information provided is subject to change without notice. ©2018 Access Lighting Corporation. All Rights Reserved  
 Rev. 4/6/2018 Filename:: 20363LEDDL-PL-BL.pdf

