

Model No :: **20360-ALU/OPL**
 Name :: EOS



Project Name :: _____
 Location :: _____
 Type :: _____
 Quantity :: _____
 Notes :: _____

Product Information

Product ID :: 20360
 UPC Code :: 641594192179
 Mounting Type :: Wall
 Finish :: Aluminum (ALU)
 Diffuser :: Opal (OPL)

See Page 2 for Custom Product Options

Product Dimensions

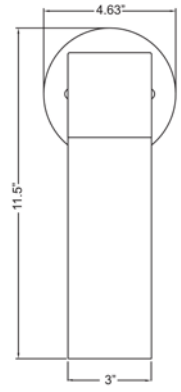
Fixture	Canopy
Length :: N/A	Length :: N/A
Width :: N/A	Width :: N/A
Diameter :: 3"	Diameter :: 4.63"
Extension :: 4.5"	Height :: N/A
Height :: 11.5"	
Overall Height :: N/A	



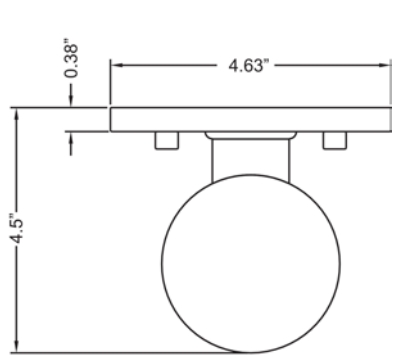
Technical Specifications

Qualifications	Specifications	Voltage	Recommended Dimmers
Location Rating :: Wall	Frame Material :: Aluminum	Voltage :: 120v	(TRIAC) Any Standard Dimmer
Certification :: cULus	Diffuser Material :: Glass		
IES File :: No	Lamping Type :: Halogen	Photometrics	
Title 24 :: No	Lamping Base :: E-26	CCT :: 2700K	
Energy Star :: No	Lamp Quantity :: 1	CRI :: N/A	
ADA Compliant :: No	Lamp Wattage :: 60 W	Wattage :: 60	
Marine Grade :: No	Total Wattage :: 60 W	Nominal Lumens :: 800	
Emergency Lighting :: No	Lamps Included :: No	Delivered Lumens :: N/A	
Warranty :: 1 Year Manufacture	J-Box Type :: Standard 4		

Line Drawing #1



Line Drawing #2



IES File

Image
Not Available

Toll Free 800-828-5483 or www.AccessLighting.com

14410 Myford Road, Irvine, CA 92606
 The information provided is subject to change without notice. ©2018 Access Lighting Corporation. All Rights Reserved
 Rev. 4/6/2018 Filename: 20360-ALU_OPL.pdf

