

Model No :: **20355LEDDMGLP-BRZ/FST**
 Name :: Oceanus



Project Name :: _____
 Location :: _____
 Type :: _____
 Quantity :: _____
 Notes :: _____

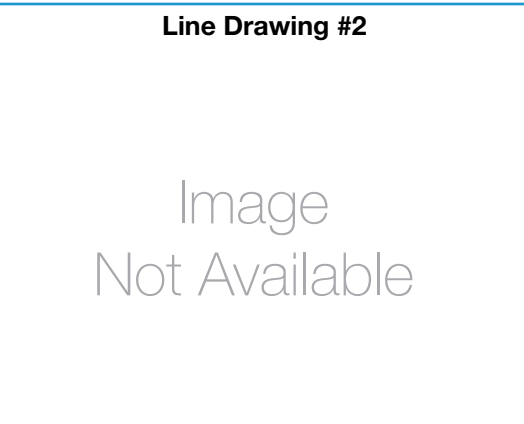
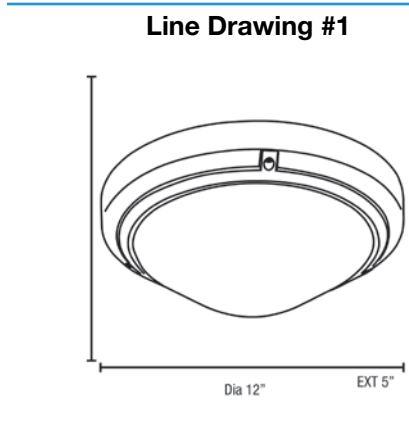
Product Information
Product ID :: 20355
UPC Code :: 641594221688
Mounting Type :: N/A
Finish :: Bronze (BRZ)
Diffuser :: Frosted (FST)

See Page 2 for Custom Product Options

Product Dimensions	
Fixture	Canopy
Length :: N/A	Length :: 5"
Width :: N/A	Width :: 4.6"
Diameter :: 12"	Diameter :: N/A
Extension :: 5.5"	Height :: N/A
Height :: N/A	
Overall Height :: N/A	

Technical Specifications

Qualifications	Specifications	Voltage	Recommended Dimmers
Location Rating :: N/A	Frame Material :: Aluminum	Voltage :: 120v	(ELV) LUTRON Skylark SELV-300P; (MLV) COOPER Aspire 9530SW; (TRIAC) LEGRAND Titan CD703-PW
Certification :: cETLus	Diffuser Material:: Glass	Photometrics	
IES File :: No	Lamping Type :: N/A	CCT :: 3000K	
Title 24 :: No	Lamping Base :: E-26	CRI :: 80	
Energy Star :: No	Lamp Quantity :: 1	Wattage :: 9	
ADA Compliant :: No	Lamp Wattage :: 9 W	Nominal Lumens :: 800	
Marine Grade :: Yes	Total Wattage :: 9 W	Delivered Lumens :: N/A	
Emergency Lighting :: No	Lamps Included :: Yes		
Warranty :: 1 Year Manufacture	J-Box Type :: Standard 4		



Toll Free 800-828-5483 or www.AccessLighting.com

14410 Myford Road, Irvine, CA 92606
 The information provided is subject to change without notice. ©2018 Access Lighting Corporation. All Rights Reserved
 Rev. 4/6/2018 Filename:: 20355LEDDMGLP-BRZ_FST.pdf

