

Model No :: **20330MG-BL/FST**
 Name :: Oden



Project Name :: _____
 Location :: _____
 Type :: _____
 Quantity :: _____
 Notes :: _____

Product Information

Product ID :: 20330
 UPC Code :: 641594218350
 Mounting Type :: Wall
 Finish :: Black (BL)
 Diffuser :: Frosted (FST)

See Page 2 for Custom Product Options

Product Dimensions

Fixture		Canopy
Length ::	10.25"	Length :: 10.25"
Width ::	10.25"	Width :: 10.25"
Diameter ::	N/A	Diameter :: N/A
Extension ::	4.75"	Height :: 1.2"
Height ::	N/A	
Overall Height ::	N/A	

Technical Specifications

Qualifications

Location Rating :: Wall
 Certification :: cETLus
 IES File :: No
 Title 24 :: No
 Energy Star :: No
 ADA Compliant :: No
 Marine Grade :: Yes
 Emergency Lighting :: No
 Warranty :: 1 Year
 Manufacture

Specifications

Frame Material :: Aluminum
 Diffuser Material :: Glass
 Lamping Type :: Replaceable
 LED
 Lamping Base :: E-26
 Lamp Quantity :: 2
 Lamp Wattage :: 60 W
 Total Wattage :: 120 W
 Lamps Included :: No
 J-Box Type :: Standard 4

Voltage

Voltage :: 120v

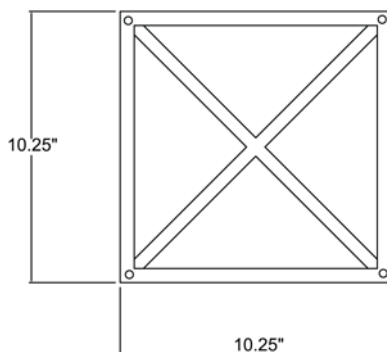
Photometrics

CCT :: 2700K
 CRI :: N/A
 Wattage :: 60
 Nominal Lumens :: 1600
 Delivered Lumens :: N/A

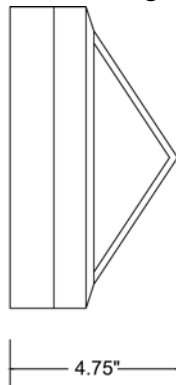
Recommended Dimmers

(TRIAC) Any Standard Dimmer

Line Drawing #1



Line Drawing #2



IES File

Image
Not Available

Toll Free 800-828-5483 or www.AccessLighting.com

14410 Myford Road, Irvine, CA 92606

The information provided is subject to change without notice. ©2018 Access Lighting Corporation. All Rights Reserved
 Rev. 4/6/2018 Filename:: 20330MG-BL_FST.pdf

