

Model No :: **20100LEDDMG-BRZ/ACR**
 Name :: Tuxedo



Project Name :: _____
 Location :: _____
 Type :: _____
 Quantity :: _____
 Notes :: _____

Product Information

Product ID :: 20100
 UPC Code :: 641594223545
 Mounting Type :: Wall
 Finish :: Bronze (BRZ)
 Diffuser :: Acrylic Lens (ACR)

See Page 2 for Custom Product Options

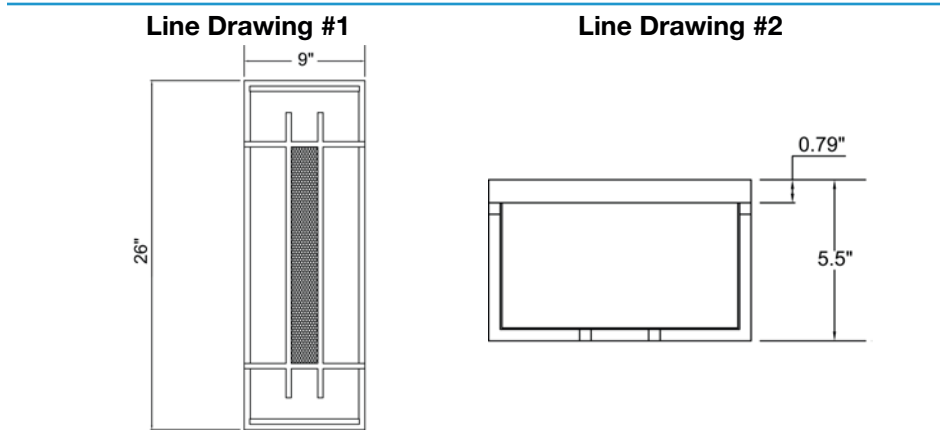
Product Dimensions

Fixture	Canopy
Length :: N/A	Length :: N/A
Width :: 9"	Width :: N/A
Diameter :: N/A	Diameter :: N/A
Extension :: 5.5"	Height :: N/A
Height :: 26"	
Overall Height :: N/A	



Technical Specifications

Qualifications	Specifications	Voltage	Recommended Dimmers
Location Rating :: Wall	Frame Material :: Metal	Voltage :: 120v	(ELV) LUTRON Caseta PD - 6WCL; (ELV) LUTRON Maestro CL MACL-153M; (ELV) LUTRON Skylark Contour CTCL-153P; (TRIAC) LEVITON Decora Sureslide 6674; (TRIAC) LUTRON Diva DVCL-153P
Certification :: cETLus	Diffuser Material:: Acrylic	Photometrics	
IES File :: No	Lamping Type :: N/A	CCT :: 3000K	
Title 24 :: No	Lamping Base :: SSL	CRI :: 90	
Energy Star :: No	Lamp Quantity :: 1	Wattage :: 25	
ADA Compliant :: No	Lamp Wattage :: 25 W	Nominal Lumens :: 2693	
Marine Grade :: Yes	Total Wattage :: 25 W	Delivered Lumens :: N/A	
Emergency Lighting :: No	Lamps Included :: Yes		
Warranty :: 5 Year Manufacture	J-Box Type :: Standard 4		



IES File

Image Not Available

Toll Free 800-828-5483 or www.AccessLighting.com

