

Model No :: **20070LEDD-SILV/ACR**  
 Name :: Ulko Exterior



Project Name :: \_\_\_\_\_  
 Location :: \_\_\_\_\_  
 Type :: \_\_\_\_\_  
 Quantity :: \_\_\_\_\_  
 Notes :: \_\_\_\_\_

Product Information	
Product ID ::	20070
UPC Code ::	641594217681
Mounting Type ::	Ceiling
Finish ::	Silver (SILV)
Diffuser ::	Acrylic Lens (ACR)

*See Page 2 for Custom Product Options*

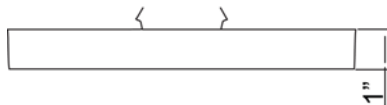
Product Dimensions			
<b>Fixture</b>		<b>Canopy</b>	
Length ::	N/A	Length ::	N/A
Width ::	N/A	Width ::	N/A
Diameter ::	5.5"	Diameter ::	N/A
Extension ::	N/A	Height ::	N/A
Height ::	1"		
Overall Height ::	N/A		



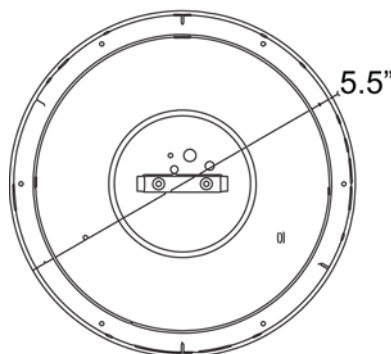
### Technical Specifications

Qualifications	Specifications	Voltage	Recommended Dimmers
Location Rating :: Ceiling	Frame Material :: Aluminum	Voltage :: 120v	N/A
Certification :: cETLus	Diffuser Material :: N/A		
IES File :: Yes	Lamping Type :: N/A	<b>Photometrics</b>	
Title 24 :: Yes	Lamping Base :: SSL	CCT :: 3000K	
Energy Star :: Yes	Lamp Quantity :: 1	CRI :: 90	
ADA Compliant :: No	Lamp Wattage :: 11 W	Wattage :: 11	
Marine Grade :: No	Total Wattage :: 11 W	Nominal Lumens :: 700	
Emergency Lighting :: No	Lamps Included :: Yes	Delivered Lumens :: 580	
Warranty :: 5 Year Manufacture	J-Box Type :: Standard 4		

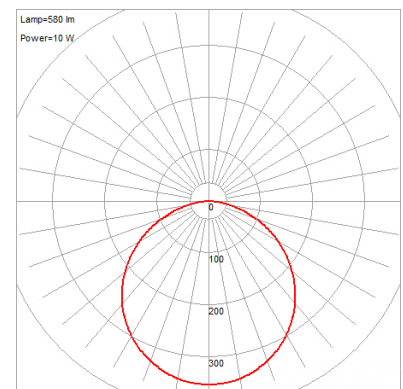
**Line Drawing #1**



**Line Drawing #2**



**IES File**



**Toll Free 800-828-5483 or [www.AccessLighting.com](http://www.AccessLighting.com)**

14410 Myford Road, Irvine, CA 92606

The information provided is subject to change without notice. ©2018 Access Lighting Corporation. All Rights Reserved  
 Rev. 4/6/2018 Filename:: 20070LEDD-SILV\_ACR.pdf

