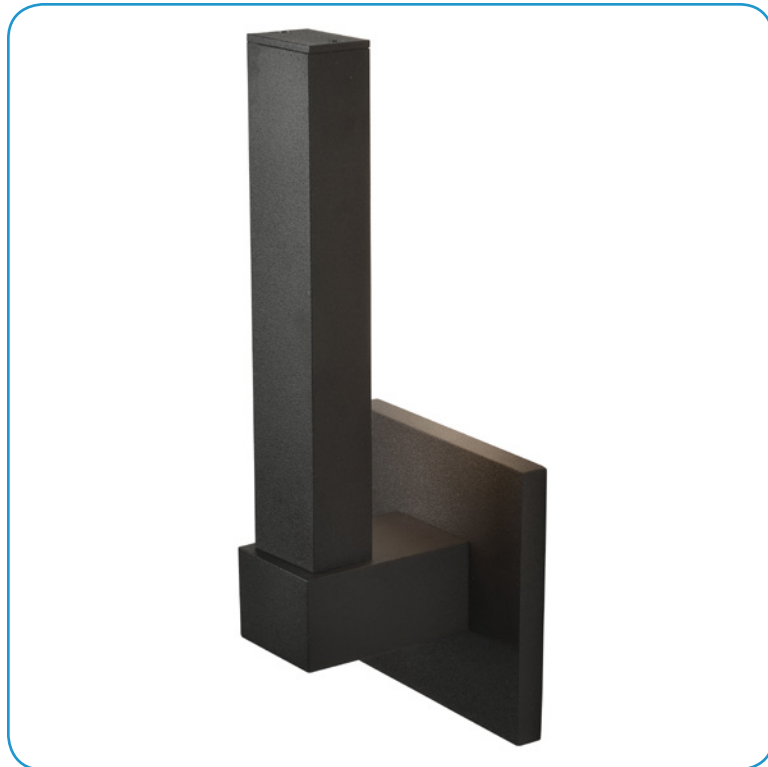


Model No :: **20045LEDDMG-BL/ACR**  
 Name :: Vertical



Project Name :: \_\_\_\_\_  
 Location :: \_\_\_\_\_  
 Type :: \_\_\_\_\_  
 Quantity :: \_\_\_\_\_  
 Notes :: \_\_\_\_\_

**Product Information**

Product ID :: 20045  
 UPC Code :: 641594206913  
 Mounting Type :: Wall  
 Finish :: Black (BL)  
 Diffuser :: Acrylic Lens (ACR)

*See Page 2 for Custom Product Options*

**Product Dimensions**

Fixture	Canopy
Length :: N/A	Length :: N/A
Width :: 4.33"	Width :: N/A
Diameter :: N/A	Diameter :: N/A
Extension :: 3.4"	Height :: N/A
Height :: 11"	
Overall Height :: N/A	



**Technical Specifications**

**Qualifications**

Location Rating :: Wall  
 Certification :: cULus  
 IES File :: Yes  
 Title 24 :: Yes  
 Energy Star :: No  
 ADA Compliant :: Yes  
 Marine Grade :: Yes  
 Emergency Lighting :: No  
 Warranty :: 5 Year  
 Manufacture

**Specifications**

Frame Material :: Aluminum  
 Diffuser Material :: Acrylic  
 Lamping Type :: N/A  
 Lamping Base :: SSL  
 Lamp Quantity :: 1  
 Lamp Wattage :: 12.4 W  
 Total Wattage :: 12.4 W  
 Lamps Included :: Yes  
 J-Box Type :: Standard 4

**Voltage**

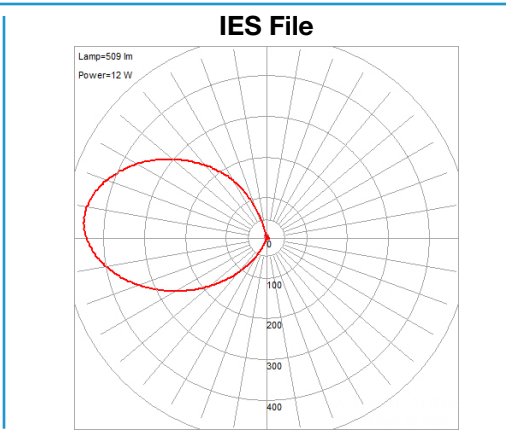
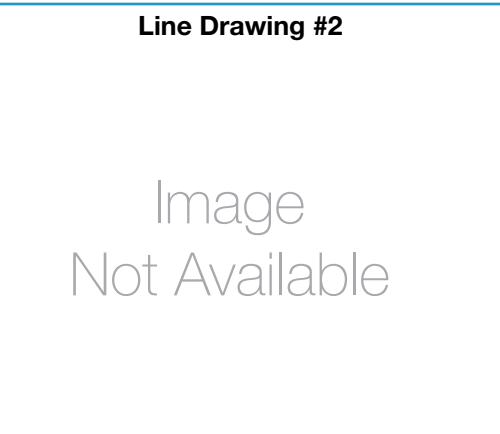
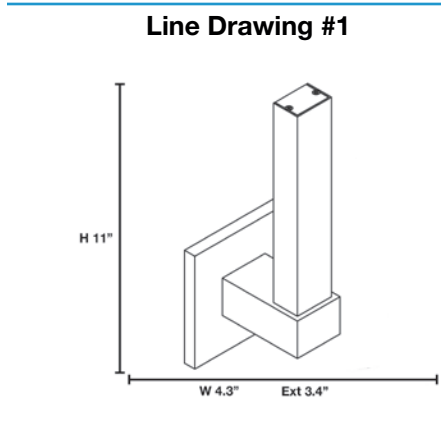
Voltage :: 120v

**Photometrics**

CCT :: 3000K  
 CRI :: 90  
 Wattage :: 12.4  
 Nominal Lumens :: 985  
 Delivered Lumens :: 509

**Recommended Dimmers**

(MLV) LUTRON Diva DVLV-600P; (TRIAC) LEVITON Sureslide 6633-P; (TRIAC) LEVITON Trimatron 6684



**Toll Free 800-828-5483 or www.AccessLighting.com**

14410 Myford Road, Irvine, CA 92606  
 The information provided is subject to change without notice. ©2018 Access Lighting Corporation. All Rights Reserved  
 Rev. 4/6/2018 Filename:: 20045LEDDMG-BL\_ACR.pdf

