

Model No :: **20010MG-BL/RFR**  
 Name :: Bermuda



Project Name :: \_\_\_\_\_  
 Location :: \_\_\_\_\_  
 Type :: \_\_\_\_\_  
 Quantity :: \_\_\_\_\_  
 Notes :: \_\_\_\_\_

Product Information
Product ID :: 20010
UPC Code :: 641594206470
Mounting Type :: Wall
Finish :: Black (BL)
Diffuser :: Ribbed Frosted (RFR)

*See Page 2 for Custom Product Options*

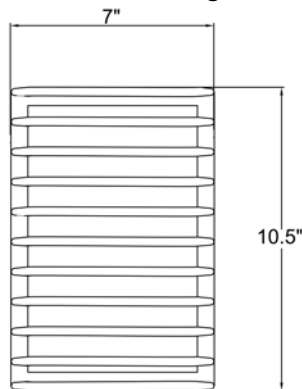
Product Dimensions	
<b>Fixture</b>	<b>Canopy</b>
Length :: 7"	Length :: 4.6"
Width :: N/A	Width :: 4.6"
Diameter :: N/A	Diameter :: N/A
Extension :: 5"	Height :: 0.5"
Height :: 10.5"	
Overall Height :: N/A	



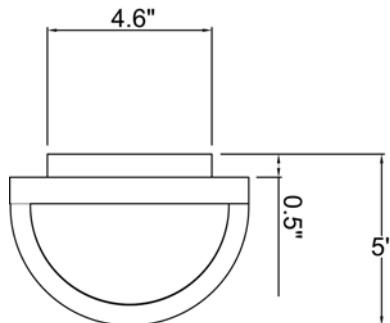
**Technical Specifications**

Qualifications	Specifications	Voltage	Recommended Dimmers
Location Rating :: Wall	Frame Material :: Aluminum	Voltage :: 120v	(TRIAC) Any Standard Dimmer
Certification :: cULus	Diffuser Material :: Glass		
IES File :: No	Lamping Type :: Replaceable LED	<b>Photometrics</b>	
Title 24 :: No	Lamping Base :: E-26	CCT :: 2700K	
Energy Star :: No	Lamp Quantity :: 1	CRI :: N/A	
ADA Compliant :: No	Lamp Wattage :: 60 W	Wattage :: 60	
Marine Grade :: Yes	Total Wattage :: 60 W	Nominal Lumens :: 800	
Emergency Lighting :: No	Lamps Included :: No	Delivered Lumens :: N/A	
Warranty :: 1 Year Manufacture	J-Box Type :: Standard 4		

**Line Drawing #1**



**Line Drawing #2**



**IES File**

Image  
Not Available

**Toll Free 800-828-5483 or www.AccessLighting.com**

14410 Myford Road, Irvine, CA 92606

The information provided is subject to change without notice. ©2018 Access Lighting Corporation. All Rights Reserved  
 Rev. 4/6/2018 Filename:: 20010MG-BL\_RFR.pdf

