

Model No :: **20010LEDDMGLP-BL/RFR**
 Name :: Bermuda



Project Name :: _____
 Location :: _____
 Type :: _____
 Quantity :: _____
 Notes :: _____

Product Information	
Product ID ::	20010
UPC Code ::	641594206616
Mounting Type ::	Wall
Finish ::	Black (BL)
Diffuser ::	Ribbed Frosted (RFR)

See Page 2 for Custom Product Options

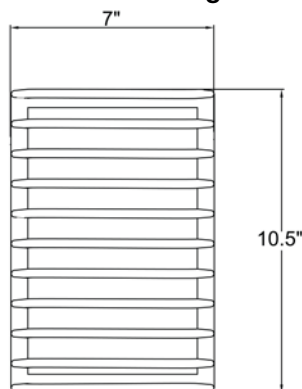
Product Dimensions			
Fixture		Canopy	
Length ::	7"	Length ::	4.6"
Width ::	N/A	Width ::	4.6"
Diameter ::	N/A	Diameter ::	N/A
Extension ::	5"	Height ::	0.5"
Height ::	10.5"		
Overall Height ::	N/A		



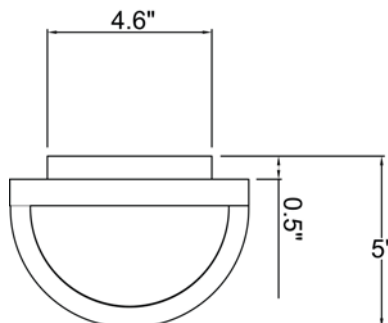
Technical Specifications

Qualifications	Specifications	Voltage	Recommended Dimmers
Location Rating :: Wall	Frame Material :: Aluminum	Voltage :: 120v	(ELV) LUTRON Skylark SELV-300P; (MLV) COOPER Aspire 9530SW; (TRIAC) LEGRAND Titan CD703-PW
Certification :: cULus	Diffuser Material:: Glass	Photometrics	
IES File :: No	Lamping Type :: N/A	CCT :: 3000K	
Title 24 :: No	Lamping Base :: E-26	CRI :: 80	
Energy Star :: No	Lamp Quantity :: 1	Wattage :: 9	
ADA Compliant :: Yes	Lamp Wattage :: 9 W	Nominal Lumens :: 800	
Marine Grade :: Yes	Total Wattage :: 9 W	Delivered Lumens :: N/A	
Emergency Lighting :: No	Lamps Included :: Yes		
Warranty :: 1 Year Manufacture	J-Box Type :: Standard 4		

Line Drawing #1



Line Drawing #2



IES File

Image Not Available

Toll Free 800-828-5483 or www.AccessLighting.com

14410 Myford Road, Irvine, CA 92606

The information provided is subject to change without notice. ©2018 Access Lighting Corporation. All Rights Reserved
 Rev. 4/6/2018 Filename:: 20010LEDDMGLP-BL_RFR.pdf

