

BETTER HOME PRODUCTS

SAN FRANCISCO TUB / SHOWER SET SPECIFICATIONS



FEATURES:

- * Solid brass valve assembly construction with a metal handle
- * Pressure balanced mixing valve
- * Adjustable temperature limit stop to control maximum hot water
- * Single handle control both on/off activation and temperature setting
- * Includes showerhead, valve face plate with handle and tub spout
- * Built in stop valves on both cold and hot water intakes
- * Packed with a shower-only pipe cap
- * Maximum water flow 1.8 gpm (6.8L/min) at 80 psi

WARRANTY:

- * Limited lifetime mechanical function warranty against leaks and drips to the original residential homeowner/user.
- * 10 year mechanical function warranty against leaks and drips when used in a multifamily installation.
- * 5 year mechanical function warranty against leaks and drips when used in a commercial installation.
- * 5 year finish warranty on all installation types, on all finishes.

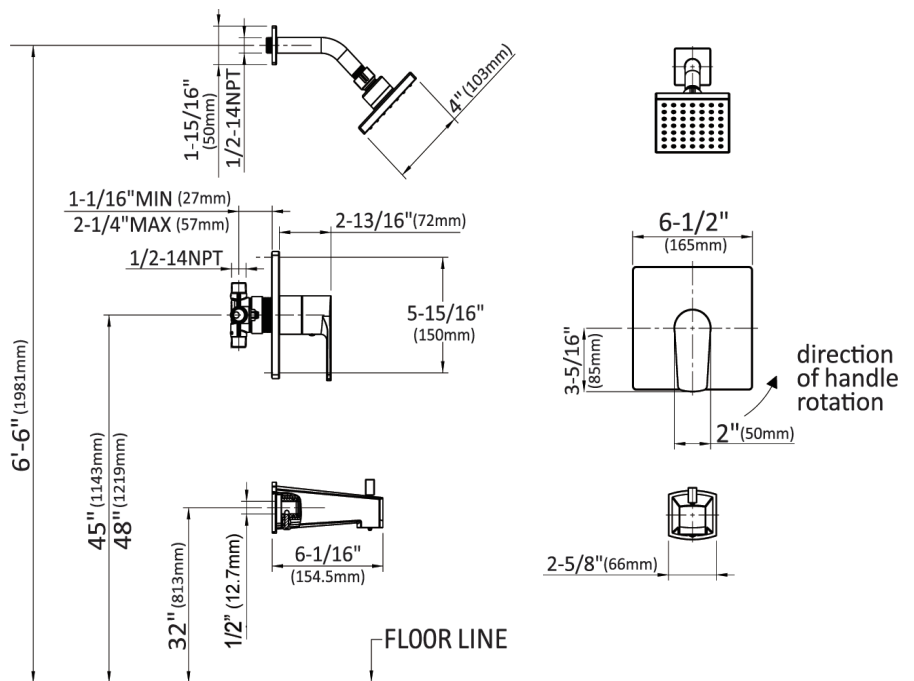


STANDARDS:

ASME A112.18.1 / CSA B125.1
 EPA WaterSense
 ADA for Lever Handle
 $Q \leq 1$

ITEM NUMBERS:

F90611DB - Dark Bronze Finish
 F90615SN - Satin Nickel Finish
 F90644BLK - Matte Black Finish
 F90688CH - Chrome Finish



CRITICAL DIMENSIONS