

Free-Standing Mail Centers

ROTARY MAIL CENTERS

Constructed of 16 gauge steel, heavy duty 3100 series Rotary Mail Centers feature a vinyl finish available in five (5) contemporary colors. Aluminum style Rotary Mail Centers (#3100) are designed to accommodate a combination of five (5) aluminum rack ladder system mailboxes and data distribution system boxes (see pages 36-39). Brass style Rotary Mail Centers (#3150) are designed to accommodate a combination of two (2) brass or Americana style rear loading mailbox units (see pages 40-43). To operate, the user unlocks the unit and rotates the inner cabinet 180 degrees so that the rear of the mailboxes are facing the front (see below). After distributing the mail, the inner cabinet is rotated back 180 degrees to the tenant access position. A matching rear cover (#3125) is available as an option upon request. Rotary Mail Centers are ideal in locations where a secure and professional mailbox system is desired.



Inner cabinet rotates 180 degrees for mail distribution



3100



3150

order mailboxes separately

ROTARY MAIL CENTER OPTIONS

OPTIONS

- Master commercial lock - if Rotary Mail Center is for private access - with (2) keys (#3175 - \$60.00)
- Rear cover - to enclose the rear of the Rotary Mail Center (#3125 - \$200.00)

Note: Keyed versions of aluminum rack ladder system mailboxes and brass or Americana rear loading mailboxes can be accessed by the U.S.P.S. when installed in Rotary Mail Centers. Data distribution system boxes with slots may not be serviced by the U.S.P.S. when installed in Rotary Mail Centers.

3100^{1,2} Rotary Mail Center - aluminum style
(for aluminum rack ladder mailboxes and data distribution boxes - order separately - see pages 36-39)

- 30" W x 74" H x 24" D
- 225 lbs. (without mailboxes)
- \$1,075.00

¹ Specify



slate



white



blue



oak



walnut

3150^{1,2} Rotary Mail Center - brass style
(for brass and Americana rear loading mailboxes - order separately - see pages 40-43)

- 30" W x 74" H x 24" D
- 225 lbs. (without mailboxes)
- \$1,075.00

² Specify

- For U.S.P.S. access
- For private access (order master commercial lock #3175)

ROLL-A-BOUTS PRIVATE ACCESS

Made of 18 gauge steel, Salsbury 2300 series Roll-A-Bouts include casters for mobility and are useful when space is limited as wall construction is not required. Roll-A-Bouts are rear loading and feature a durable powder coated finish. Aluminum style Roll-A-Bouts (#2300) are designed to accommodate a combination of five (5) aluminum rack ladder system mailboxes and data distribution system boxes (see pages 36-39) and are powder coated black. Brass style Roll-A-Bouts (#2350) are designed to accommodate a combination of two (2) brass or Americana style rear loading mailbox units (see pages 40-43) and are powder coated tan. Units include a large rear door and are locked by placing a standard padlock (order optional keyed padlock #2390 - \$10.00) through a steel hasp and are an excellent way to add a private postal center to an existing business.



2300

2350

order mailboxes separately

SAMPLE CONFIGURATIONS

Sample configurations for Rotary Mail Centers and Roll-A-Bouts - order mailboxes and data distribution boxes separately. Mix and match to meet specific requirements. Minor assembly required.

ALUMINUM MAILBOXES OR DATA DISTRIBUTION BOXES

Rotary Mail Center #3100 and Roll-A-Bout #2300 - choose any five (5) aluminum rack ladder system mailboxes and data distribution system boxes from pages 36-39.

2212	2208	2406
2212	2204	2406
2212	2202	2404
2212	2201	2402
2280 drop box	2270 parcel locker	2401

BRASS OR AMERICANA MAILBOXES

Rotary Mail Center #3150 and Roll-A-Bout #2350 - choose any two (2) brass or Americana style rear loading mailbox units from pages 40-43.

2030RL	2014RL	2130RL
2016RL	2008RL	2114RL

2300 Roll-A-Bout - aluminum style

(for aluminum rack ladder mailboxes and data distribution boxes - order separately - see pages 36-39)

- 25-1/2" W x 67" H x 16-1/2" D
- casters: left 3" diameter rigid right 3" diameter swivel
- 120 lbs. (without mailboxes)
- \$525.00

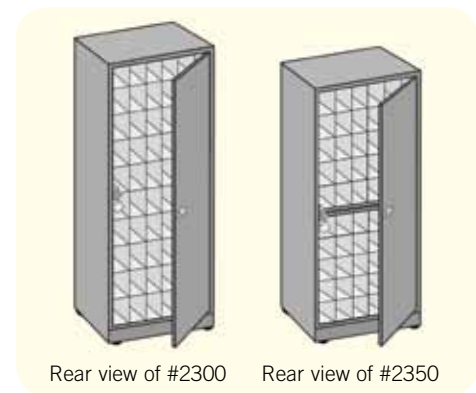
2350 Roll-A-Bout - brass style

(for brass and Americana rear loading mailboxes - order separately - see pages 40-43)

- 26" W x 62" H x 16" D
- casters: left 3" diameter rigid right 3" diameter swivel
- 110 lbs. (without mailboxes)
- \$525.00

Note: Rack ladders (#2200 and #2400) are not required on models #3100 and #2300.

Volume Discount Pricing Available On-Line!



Rear view of #2300

Rear view of #2350