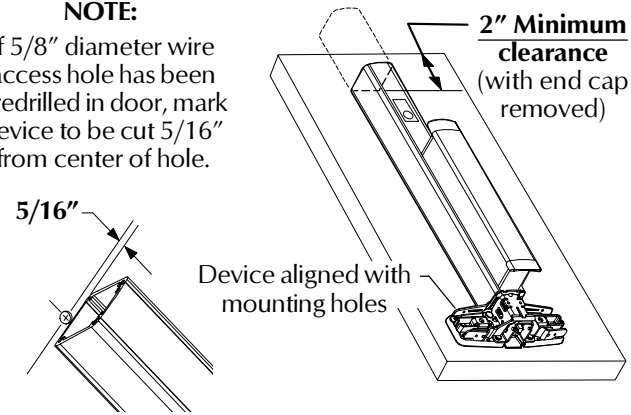


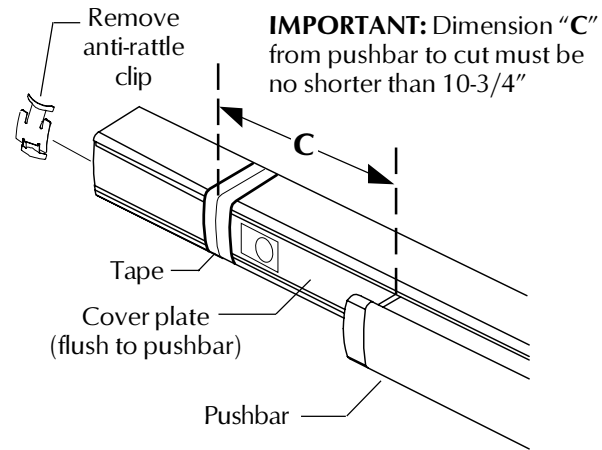
## CUT DEVICE

### 1 Measure amount to cut off device.

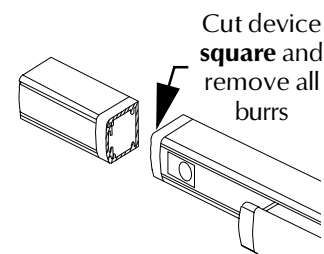
**NOTE:**  
if 5/8" diameter wire access hole has been predrilled in door, mark device to be cut 5/16" from center of hole.



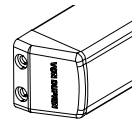
### 2 Tape and mark area being cut.



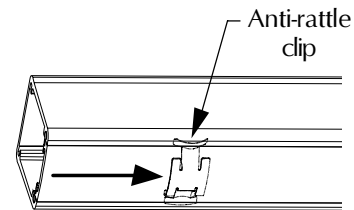
### 3 Cut device square.



Note: Device must be cut **square** for proper end cap fit



### 4 Slide anti-rattle clip into device.

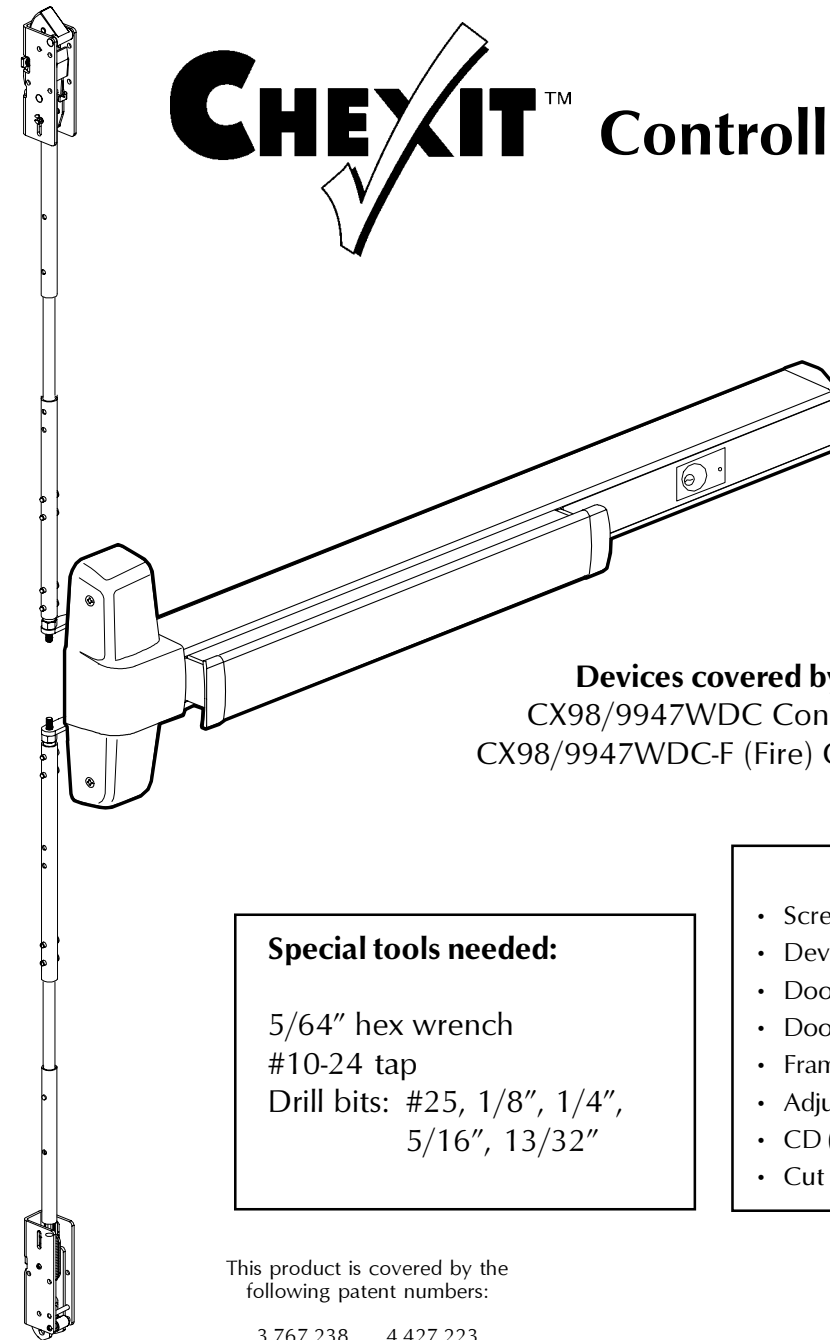


# VON DUPRIN® Installation Instructions

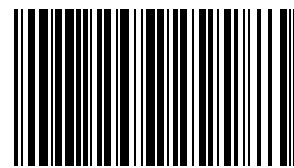
## CX98/9947WDC Concealed Vertical Rod Device

### Wood Door Applications

# CHEXIT™ Controlled Exit Device



**Devices covered by these instructions:**  
CX98/9947WDC Concealed Vertical Rod Device  
CX98/9947WDC-F (Fire) Concealed Vertical Rod Device



911383-00

#### Special tools needed:

5/64" hex wrench  
#10-24 tap  
Drill bits: #25, 1/8", 1/4",  
5/16", 13/32"

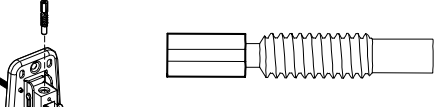
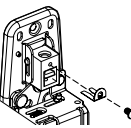
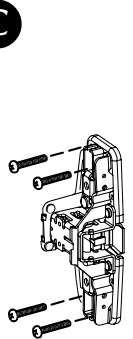
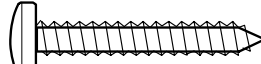
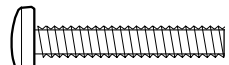
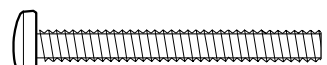
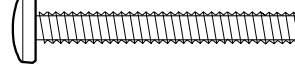
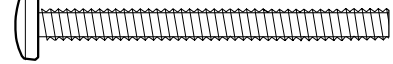
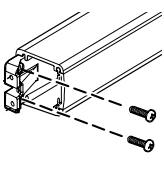
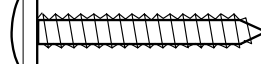
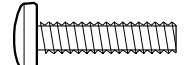
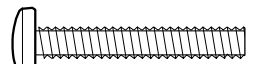

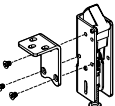
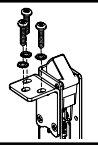
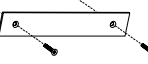
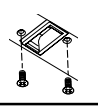

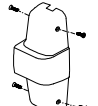
#### Index:

• Screw chart .....	2
• Device installation .....	4-6
• Door routing instructions .....	7
• Door preparation chart .....	8
• Frame preparation chart .....	9
• Adjust rods .....	10
• CD (cylinder dogging) .....	11
• Cut device .....	12

This product is covered by the following patent numbers:

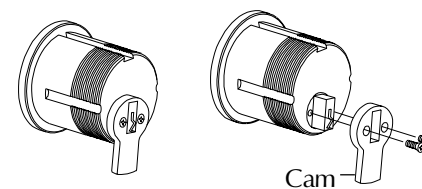
3,767,238    4,427,223  
3,854,763    4,466,643  
4,167,280    4,741,563

## SCREW CHART

<b>A</b>		_____	Rod adjustment screw		
<b>B</b>		#8-32 X 5/16"	_____	Rod locking screw	
<b>C</b>			#10 X 1-1/4" Wood screw	_____	Surface mount (WDC)
			#10-24 X 1"	_____	Sex bolts (1-3/4" door)
			#10-24 X 1-1/2"	_____	Sex bolts (2-1/4" door)
			#10-24 X 1-3/8"	_____	990 trims (1-3/4" door)
			#10-24 X 1-7/8"	_____	990 trims (2-1/4" door)
<b>D</b>			#10 X 1-1/4" Wood screw	_____	Surface mount (WDC)
			#10-24 X 3/4"	_____	Sex bolts (1-3/4" door)
			#10-24 X 1-1/8"	_____	Sex bolts 2-1/4" door
<b>E</b>		#10-16 X 3/8" Thread cutting	_____	End cap screw	
<b>F</b>		#10-32 X 1/4"	_____	Bracket screw	
<b>G</b>		#10 X 1" Wood screw	_____	Bracket to door screw	
<b>H</b>		#8-16 X 8-32 X 1"	_____	Cover plate screw	
<b>I</b>		#10-24 X 1/2"	_____	338 strike screw	
<b>J</b>		#10-24 X 1-1/2"	_____	Ratchet release screw	
<b>K</b>		#8-18 X 3/8" Thread cutting	_____	Center case cover screw	

## CD (CYLINDER DOGGING)

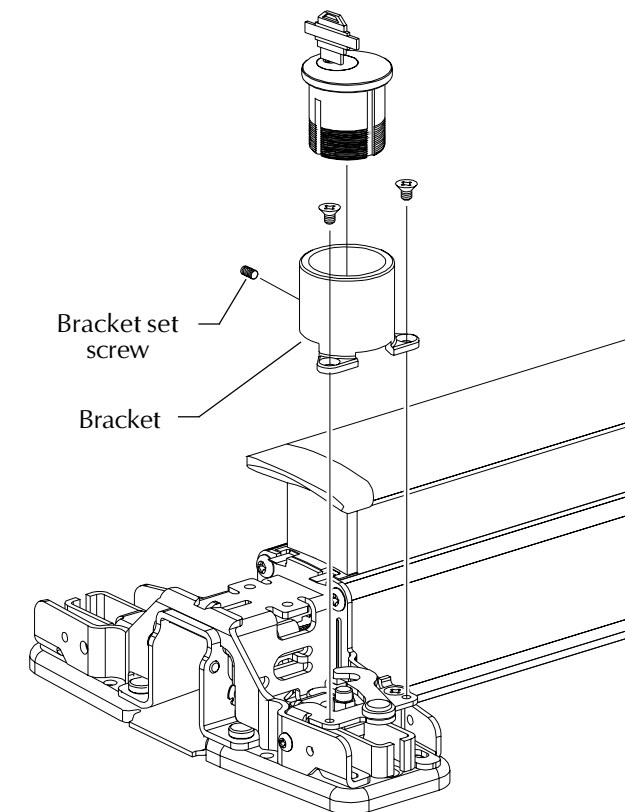
1. Make sure cylinder cam is positioned as shown with key removed. If not positioned as shown remove cylinder cam and reverse.



2. Remove center case cover from device.
3. Orient cylinder as shown at right and insert cylinder into bracket.
4. Tighten bracket set screw with a 1/16" hex wrench.
5. Secure cylinder bracket to center case.

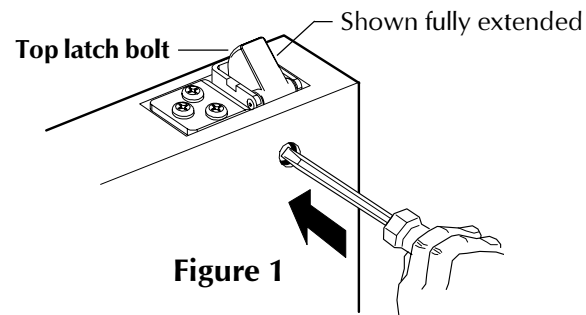
**To dog RHR device**, depress pushbar, insert key, and turn key 180 degrees counterclockwise. **To dog LHR device**, turn key clockwise.

**To undog RHR device**, insert key and turn key 180 degrees clockwise. **To undog LHR device**, turn key counterclockwise.

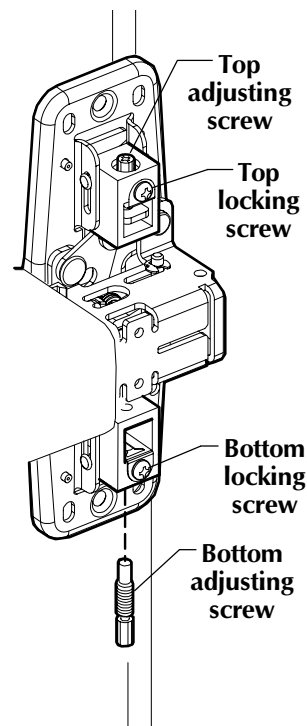


## ADJUST RODS

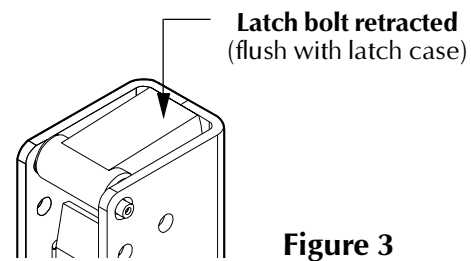
1. Open door and release top latch bolt as shown (Figure 1).



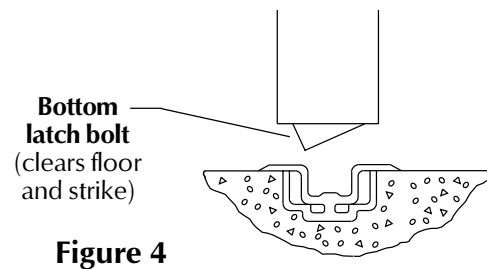
2. Loosen bottom locking screw (Figure 2).
3. Disconnect bottom vertical rod by removing bottom adjusting screw.
4. Loosen top locking screw.
5. Rotate top adjusting screw clockwise until top latch bolt is fully extended (Figure 1).
6. Check top latch bolt for deadlocking (latch bolt should not push in).
7. Turn top locking screw in. Do not over-tighten.



8. Depress pushbar and release.
9. Make sure top latch bolt stays retracted as shown.



10. Install bottom adjusting screw through bottom rod (Figure 2).
11. With top latch bolt still retracted, adjust bottom rod so latch bolt clears floor and bottom strike.



12. Turn bottom locking screw in. Do not over-tighten.
13. Check device operation by opening and closing door several times from the outside.

### Redo adjustment procedure if:

- Top latch bolt is not held retracted
- Bottom latch bolt does not clear floor and bottom strike

## NOTE TO OWNER

This product is not intended to detain or prevent exit, but to delay egress for not more than 15 seconds in accordance with NFPA 101 requirements for "special locking arrangements".

### ⚠ WARNING

The signal switch inside the device is pre-set at the factory. Tampering with this switch can cause the basic exit features of this device to fail in an emergency.

### ⚠ CAUTION

There are no user serviceable parts in the electronic module or in the delay mechanism. Consult factory for repair of these components.

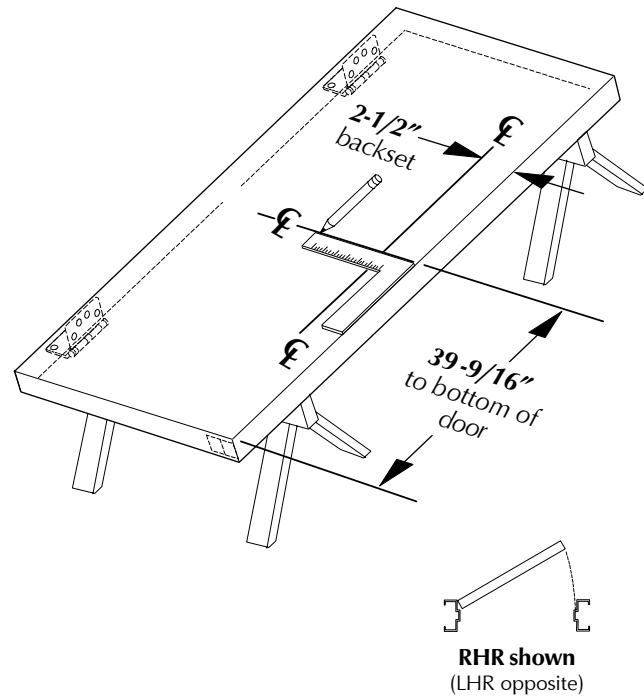
### ATTENTION!

1. The electronic delay module is located in a separate box and must be installed by an electrician.
2. Check door size carefully before cutting device and cover. refer to back page of instruction for dimensions.
3. Device should be tested periodically for proper function and moving parts should be lubricated semiannually.

**\*\*Give these instructions to building owner\*\***

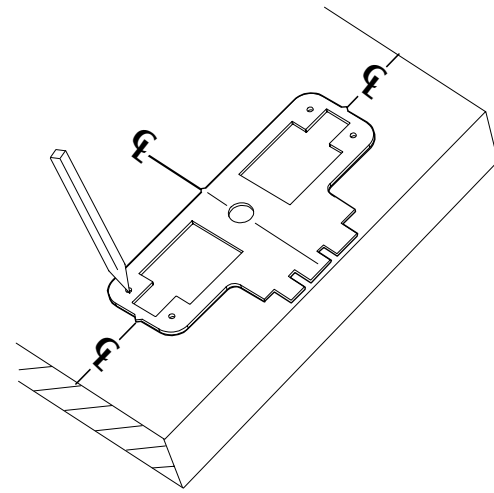
1

Draw horizontal and vertical device center lines (C).



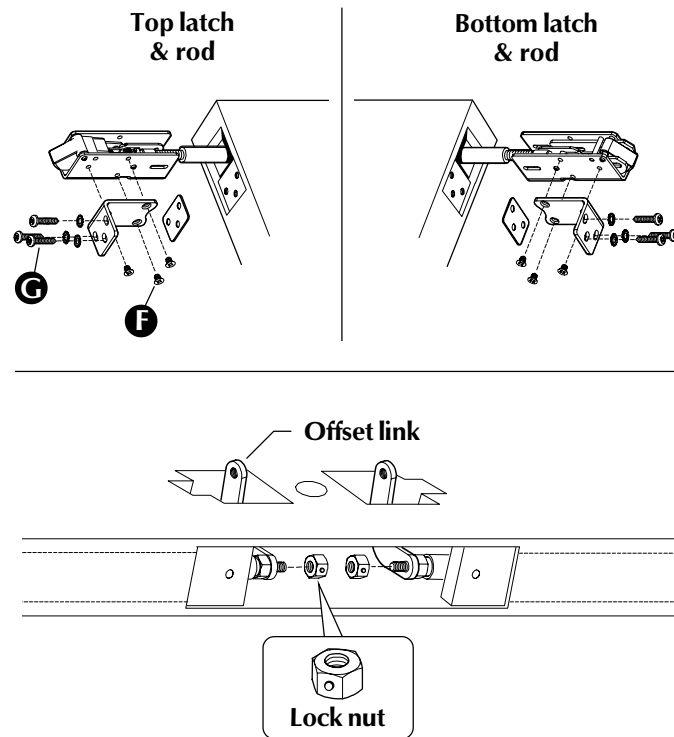
2

Align template along center lines and mark holes and cut-outs.



5

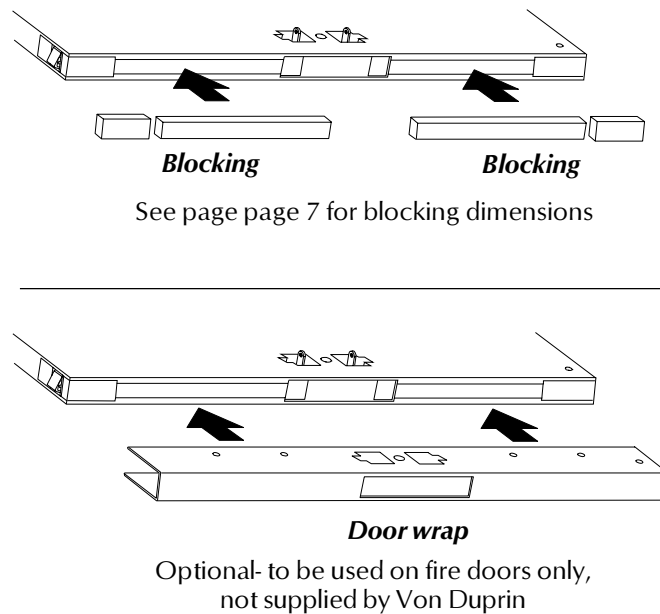
Secure latches and rods into door as shown and attach offset links.



6

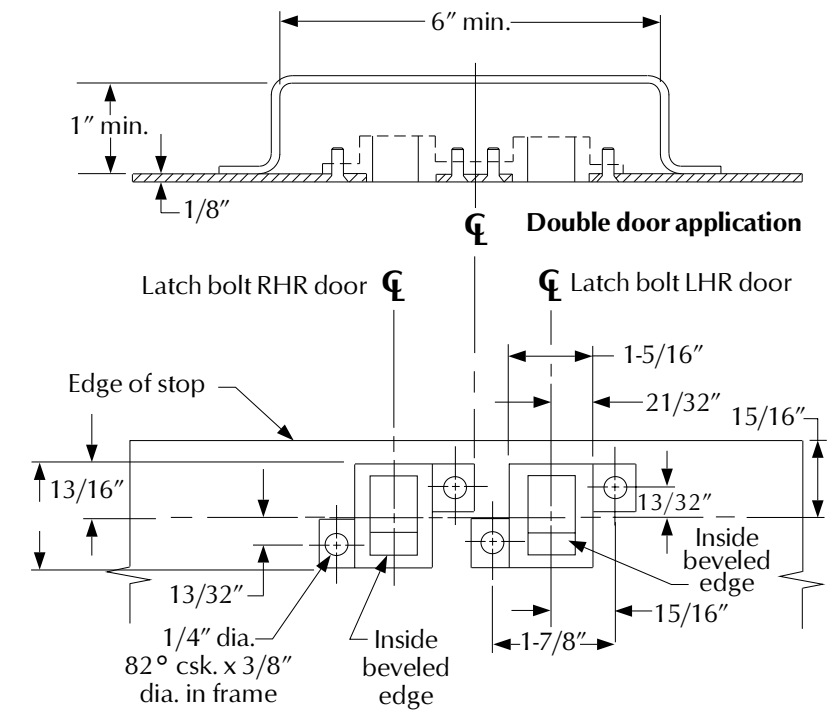
Install blocking and door wrap (if using door wrap).

NOTE: If not using door wrap, the blocking can be installed after device is installed.

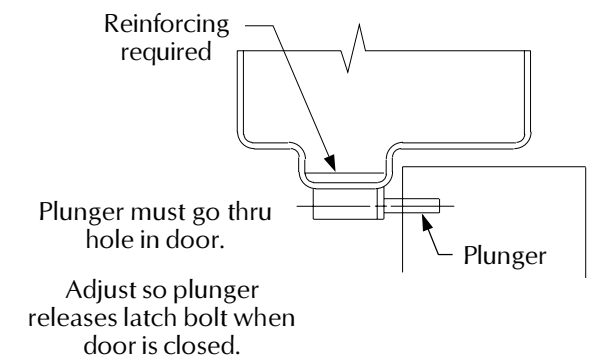
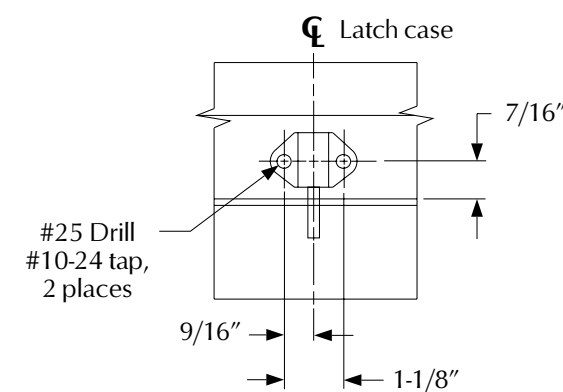


## FRAME PREPARATION

### 338 Top strike

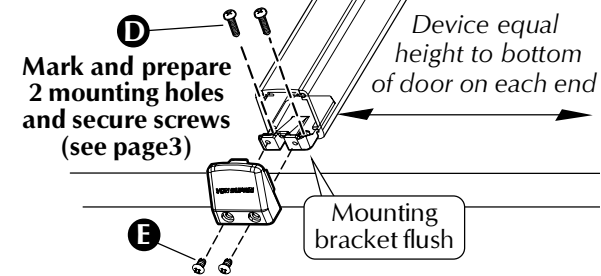
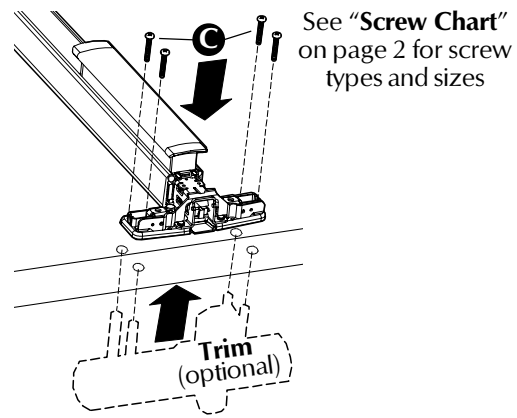


### Ratchet release



9

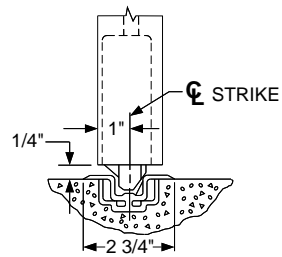
Secure device to door.



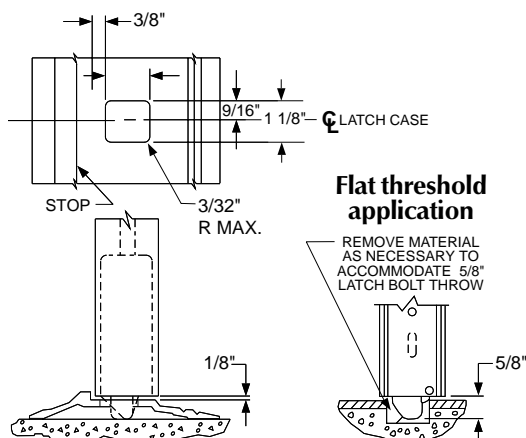
11

Install bottom strike or prepare threshold.

385-A Bottom strike



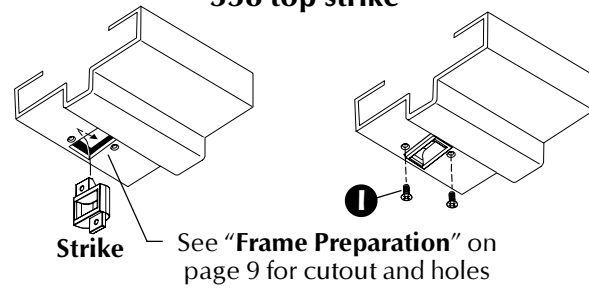
Threshold application



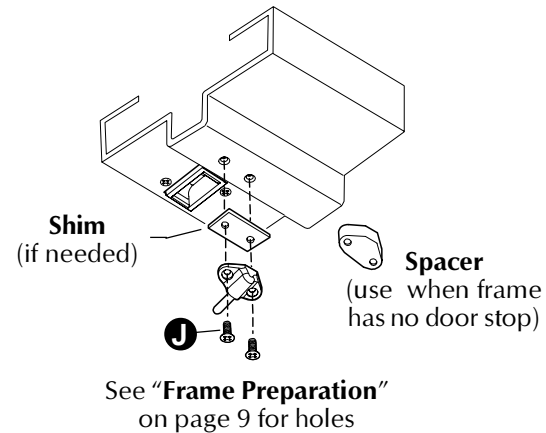
10

Hang door on frame and install top strike and ratchet release.

338 top strike



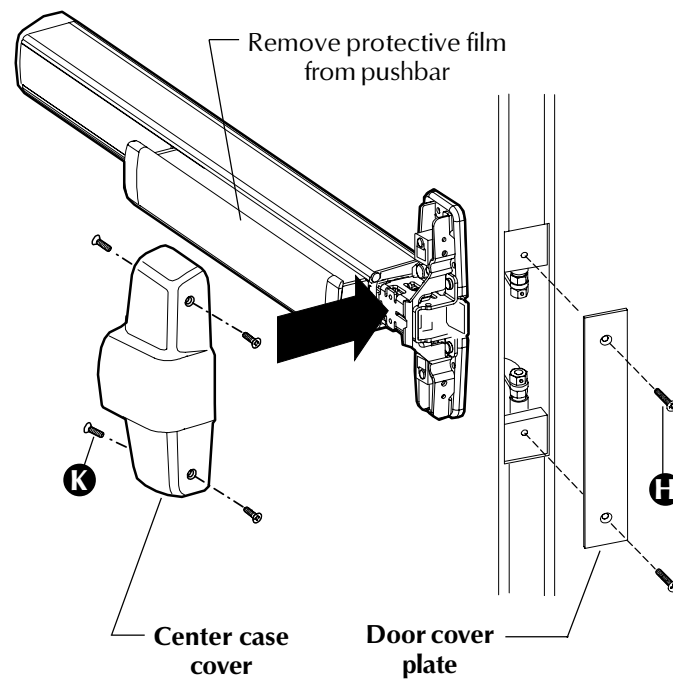
Ratchet release



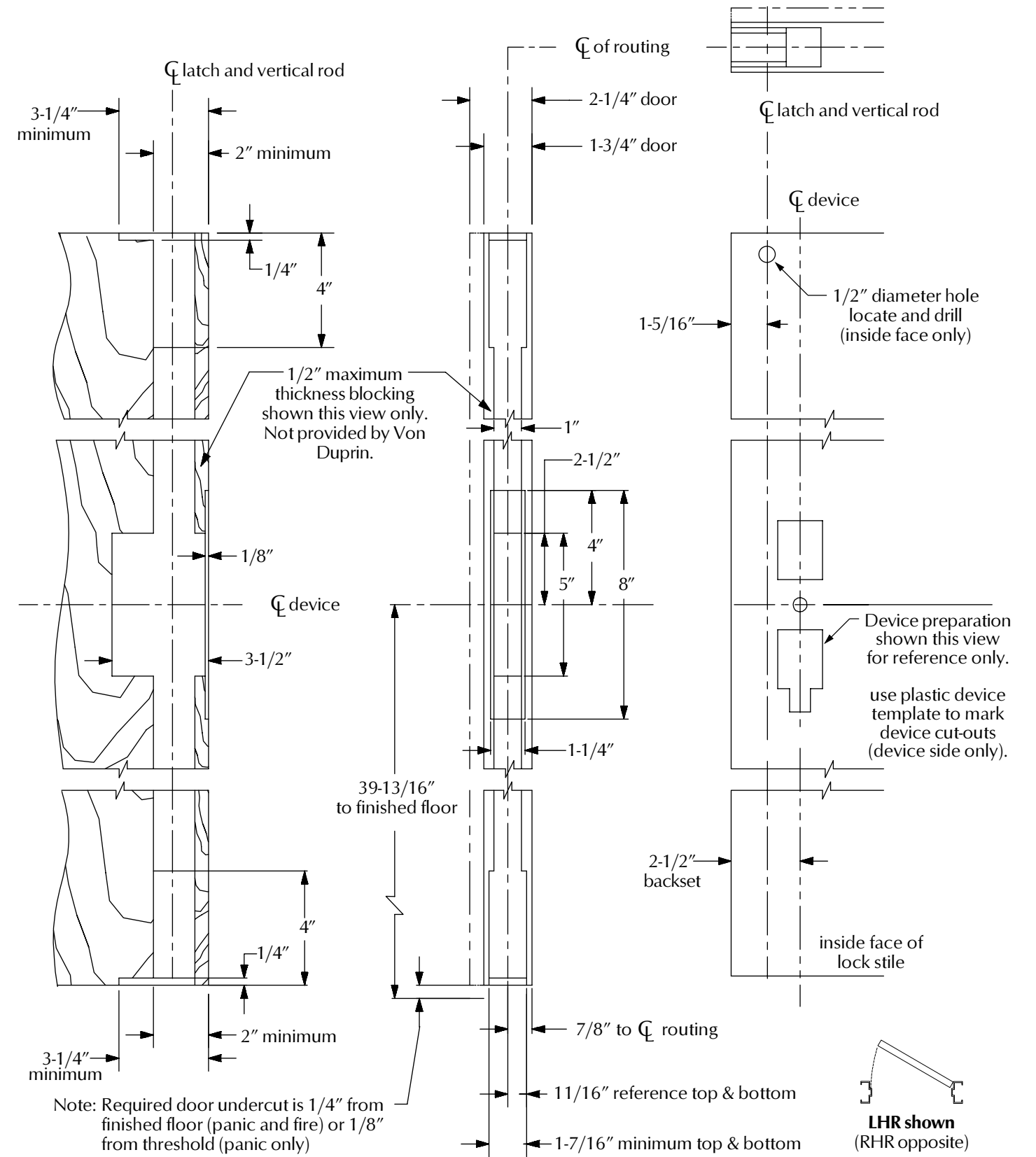
12

Adjust rods and install center case cover and door cover plate.

See "Adjust Rods" on page 10 for adjustment procedure

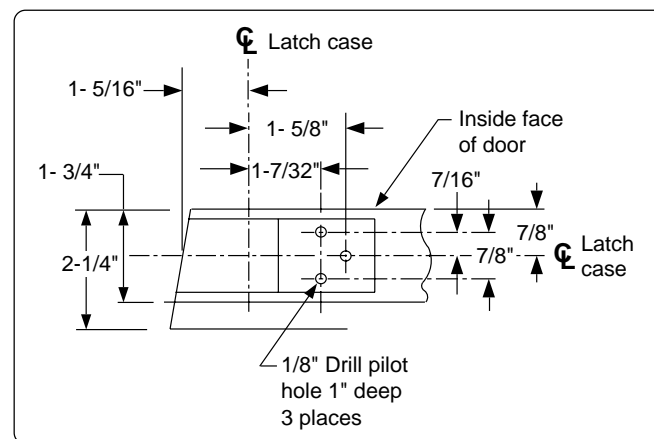
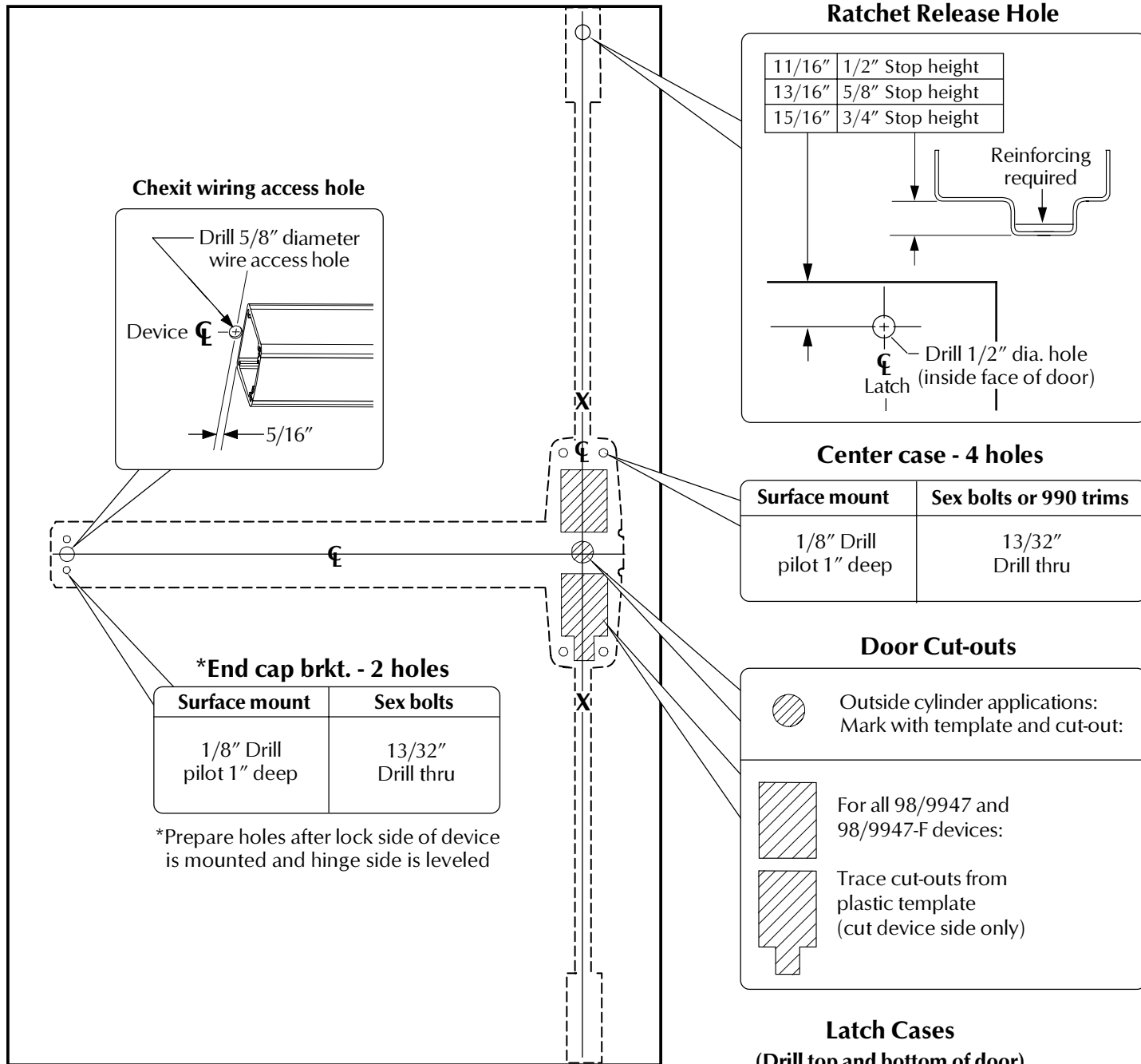


DOOR ROUTING INSTRUCTIONS



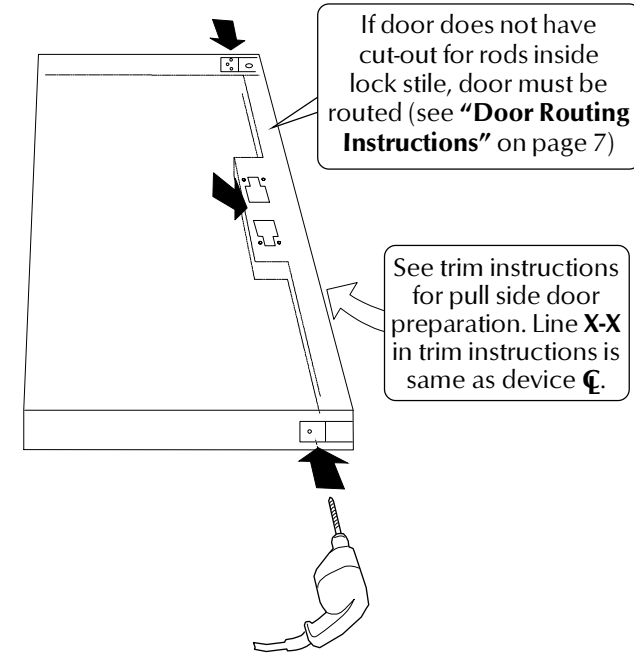
# DOOR PREPARATION CHART

Prepare all holes and cutouts shown if they are not already present on door



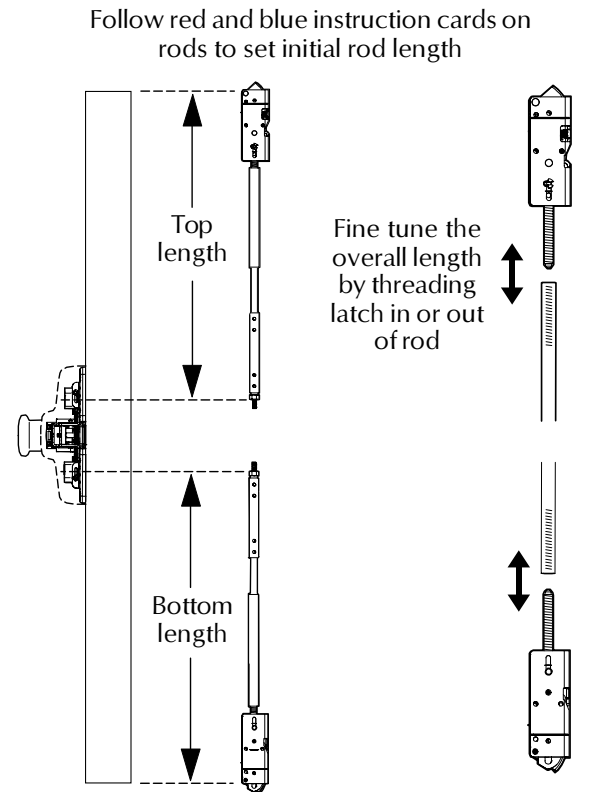
## 3

Prepare door per preparation chart on page 8.



## 4

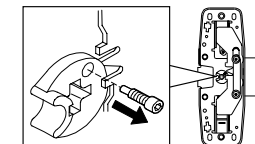
Assemble rods and latches and adjust length for proper door height.



## 7

If using an outside cylinder, check NL drive screw and install tailpiece guide.

### NL drive screw

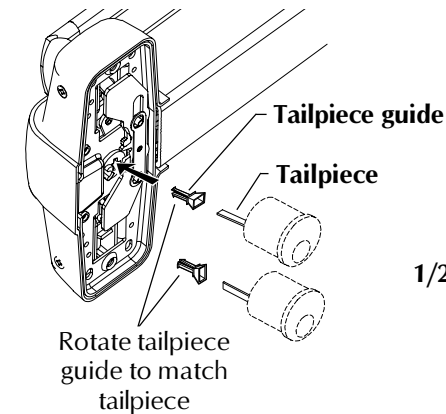


When installing trim that has a functional lever, knob, or thumb piece AND an outside cylinder to lock and unlock the trim, remove NL drive screw from back of device.

Note: When the NL drive screw is left in back of device, the outside cylinder will function only as a Night Latch.

DO NOT remove NL drive screw for the following trims: NL, EO, DT, TP-2, L-2, and K-2.

With "BE" trim, device may need rehanded. Look for instructions on back of trim.



## 8

Check device length and attach device center case to two offset links as shown.

