

# Door and Jamb Preparation for Schlage Hardware

# S200 SERIES

## LOCK SERIES INDEX OF TEMPLATE SHEETS

S200-Series Locks		Door			Template Number	
Function	Description	Door Edge		Door Thickness	Wood or Composite	Metal
		Flat	Bev.			
S210, S251 S270, S280	1½" (29mm) Faceplate, 1" (25mm) housing	x	x	1⅜" - 2" (35mm-51mm)	S883	S882
	1½" (29mm) Faceplate, ½" (13mm) rabbeted, strike included	x		1⅜" - 2" (35mm-51mm)	S887	
S290	Dummy trim, surface mounted			Any	S884	

Note: Whenever backset options are listed at the bottom of a template sheet, backset must be indicated by the suffix letter as follows:

A = 1¾" (44mm) backset      B = 2" (51mm) backset      C = 2⅝" (60mm) backset      D = 2¾" (70mm) backset

E = 3¾" (95mm) backset      F = 5" (127mm) backset      G = Other (specify)

Example: S883-C (S200-Series lock template #883 with 2⅝" (60mm) backset)

S200-Series Standard Strike		Jamb	
Number	Description	Template Number	
		Wood	Metal
10-250	10-001 and 10-055 combination	J907	J908

**Note:**

See strike template index for optional strikes.

S210  
S251  
S270  
S280

**1 3/8" (35) to 2" (51) metal doors**  
1 1/8" (29) faceplate, flat or beveled

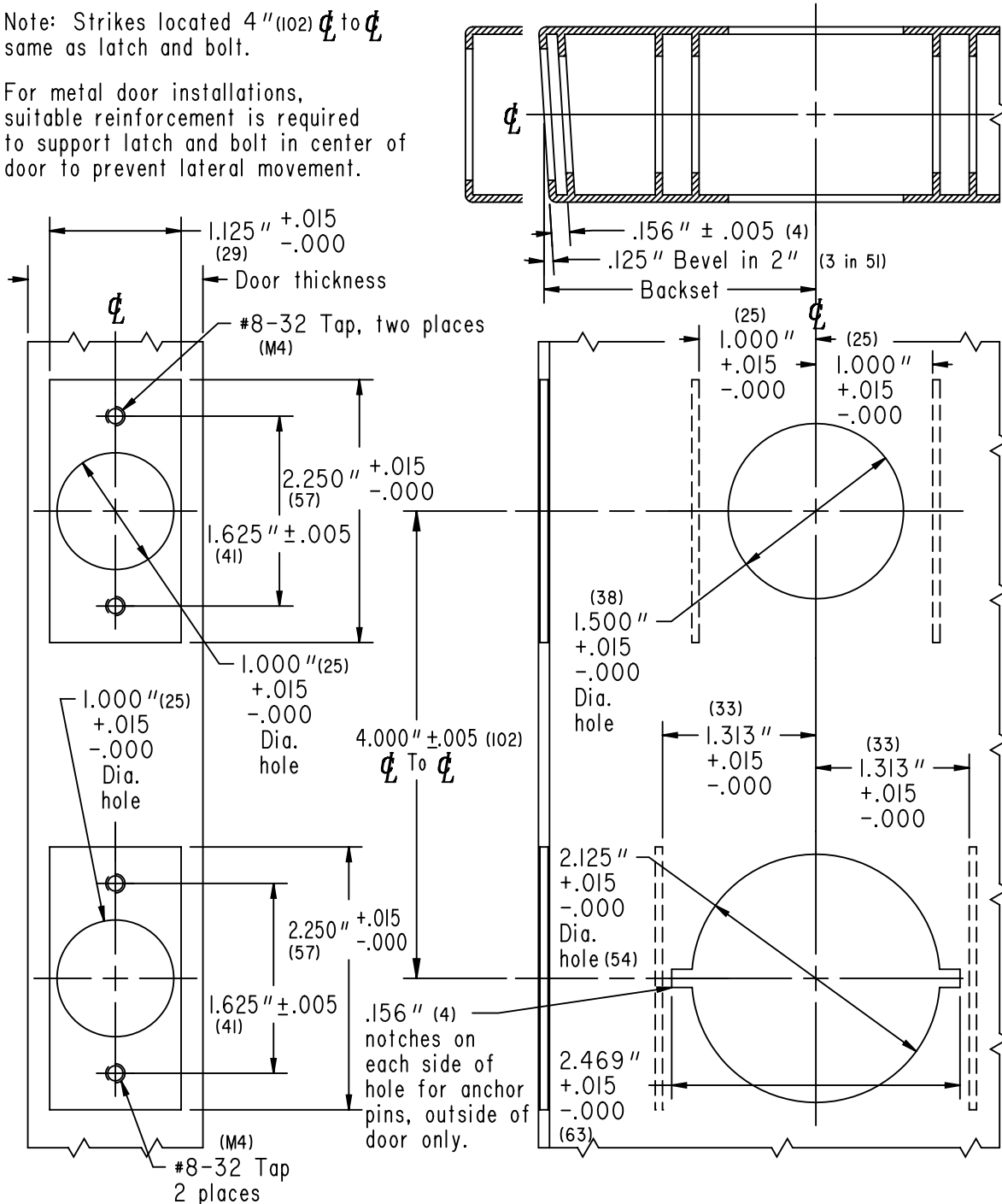
Note: Dimensions shown in parenthesis ( ) are in millimeters.

**SCHLAGE®**

**S200-Series**

Note: Strikes located 4" (102)  $\phi$  to  $\phi$  same as latch and bolt.

For metal door installations, suitable reinforcement is required to support latch and bolt in center of door to prevent lateral movement.



<p><b>BACKSETS</b> S882-C, 2 3/8" (60) S882-D, 2 3/4" (70) S882-F, 5" (127)</p>	<p>JOB _____ DATE _____ DOOR THICKNESS _____ REMARKS _____</p>	<p>TEMPLATE NO. <b>S882</b></p>
---	--	-------------------------------------

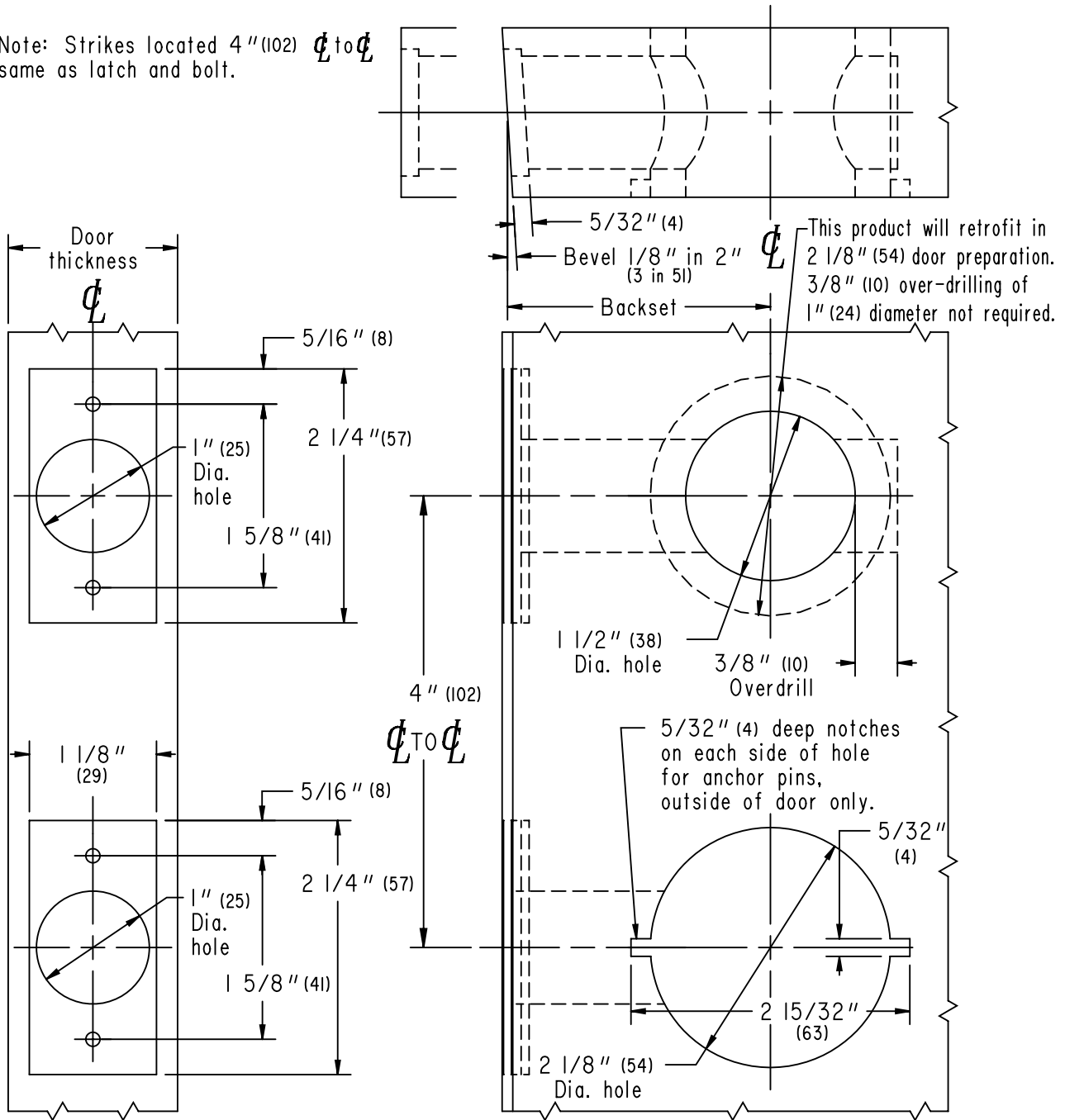
S210  
S251  
S270  
S280

**1 3/8" (35) to 2" (51) wood or composite doors**  
**1 1/8" (29) faceplate, flat or beveled**  
**Note:** Dimensions shown in parenthesis ( ) are in millimeters.

**SCHLAGE®**

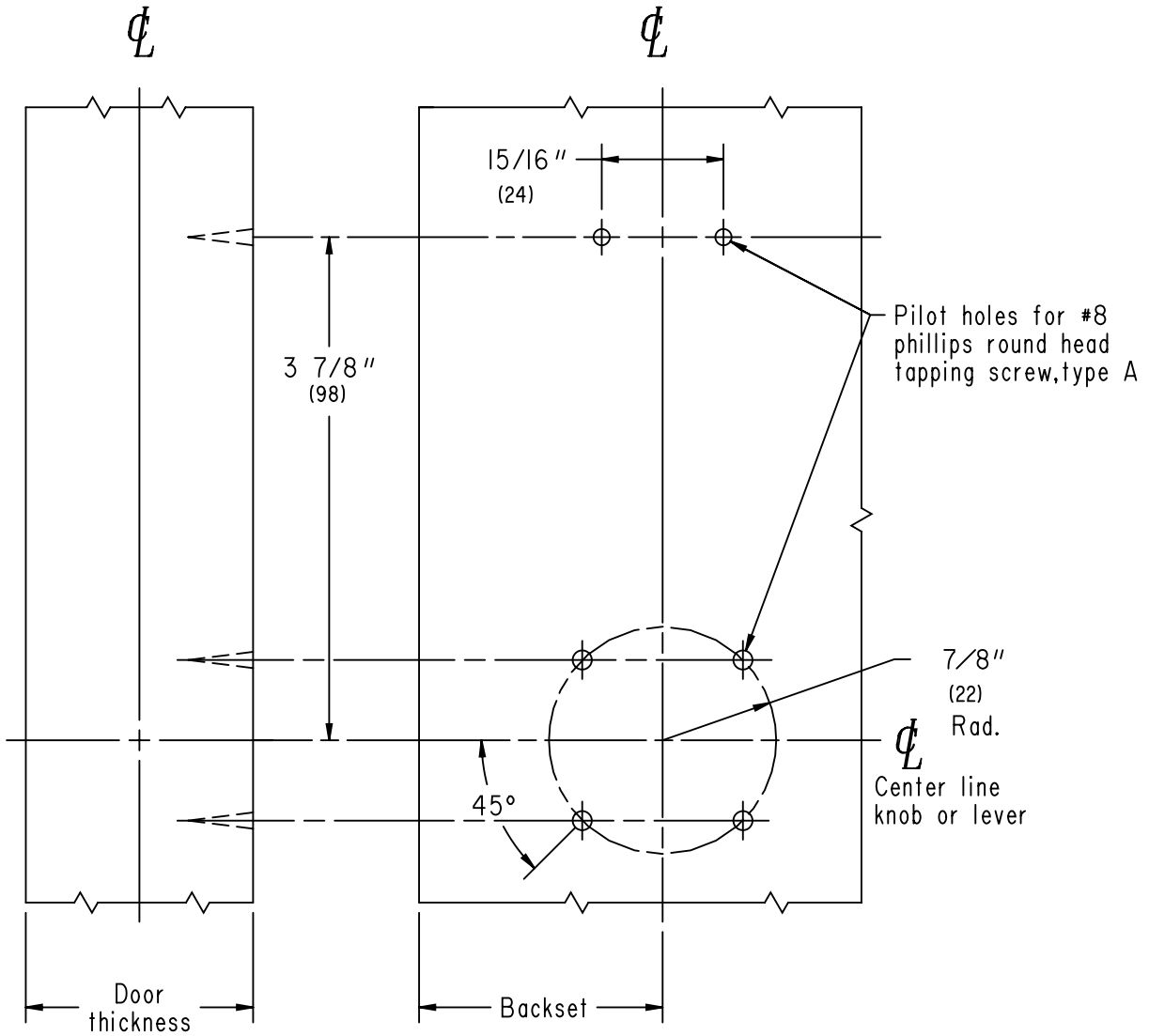
**S200-Series**

Note: Strikes located 4" (102)  $\phi$  to  $\phi$  same as latch and bolt.



<p>TEMPLATE NO. <b>S883</b></p>	<p>JOB _____          DATE _____ DOOR THICKNESS _____          REMARKS _____</p>	<p>BACKSETS          S883-C, 2 3/8" (60)          S883-D, 2 3/4" (70)          S883-F, 5" (127)</p>
-------------------------------------	--	---

Note: Dimensions shown in parenthesis ( ) are in millimeters.



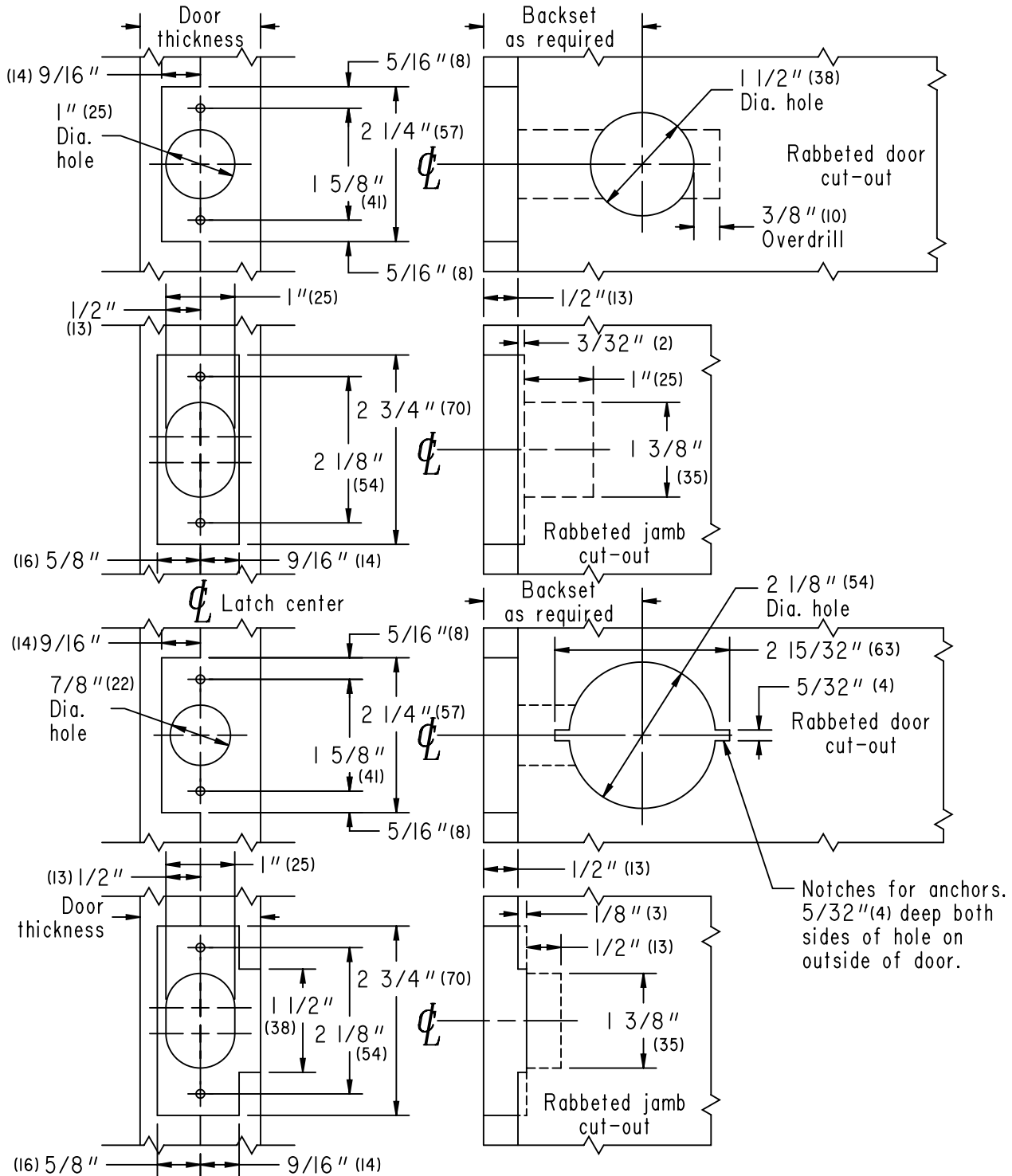
<p>BACKSETS Any Backset</p>	<p>JOB _____ DATE _____ DOOR THICKNESS _____ REMARKS _____</p>	<p>TEMPLATE NO. <b>S884</b></p>
---------------------------------	--	-------------------------------------

S210  
S251  
S270  
S280

**1 3/8" (35) to 2" (51) wood or composite doors**  
 1 1/8" (29) flat, 1/2" (13) rabbeted faceplate and strike  
**Note:** Dimensions shown in parenthesis ( ) are in millimeters.

**SCHLAGE**

**S200-Series**



<p>TEMPLATE NO.</p> <p><b>S887</b></p>	<p>JOB _____</p> <p>DATE _____ DOOR THICKNESS _____</p> <p>REMARKS _____</p>	<p>BACKSETS</p> <p>S887-C, 2 3/8" (60)</p> <p>S887-D, 2 3/4" (70)</p> <p>S887-F, 5" (127)</p>
--	--	---