

Mail Slots – 4085

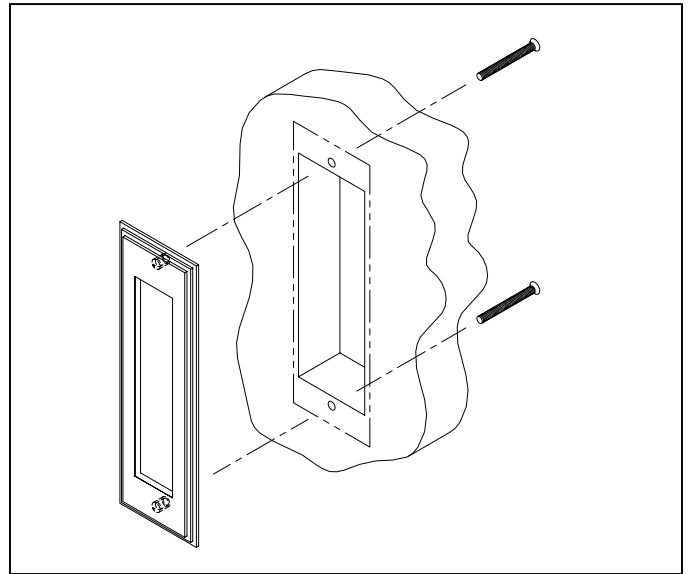
Vertical Style Installation Instructions

Thank you for selecting Salsbury's vertical mail slot model 4085. The one piece mail slots are made of brass and can be mounted vertically or horizontally.

Installation

1. Position slot on flat surface in center of door at desired height and mark two screw holes and four circle centers for the rough opening.
2. Using 1/2" drill bit, drill four circle centers from front of door to a depth that allows drill bit tip to penetrate back of door, then finish hole by drilling from back of door. Mark horizontal and vertical dotted cut-out lines of rough opening from hole to hole.
3. Use a saw to cut out opening along dotted cut-out lines.
4. Make sure slot is level and centered over opening in outside of door. Ensure that the flap can be opened and closed freely. Mark screw holes and drill two 1/4" through holes and secure.

Model 4085 – Vertical Mail Slot



Cleaning

Polish with a soft cloth or sponge.

DO NOT use abrasive materials on polished cast brass surfaces.

Unit Overall Dimensions

3-1/2"W x 11"H

Rough Opening Dimensions

3"W x 8-1/4"H

SALSBURY INDUSTRIES

1010 East 62nd Street, Los Angeles, CA 90001-1598
Phone: 1-800-624-5269 Int'l Phone: 323-846-6700
Fax: 1-800-624-5299 Int'l Fax: 323-846-6800
www.mailboxes.com engineering@mailboxes.com

Installation instructions are provided as general guidelines. It is advised that a professional installer be consulted. Salsbury Industries assumes no product assembly or installation liability.
Copyright © 2006 Salsbury Industries. All rights reserved.