

MODEL:

72WH244,	72WH244D
72WH246,	72WH246D
72WH244F,	72SS244DF
72WH246F,	72SS246DF
72SS244D,	72WH244DF
72SS246D,	72WH246DF
72SS304D,	72SS304DF
72WH304D,	72WH304DF

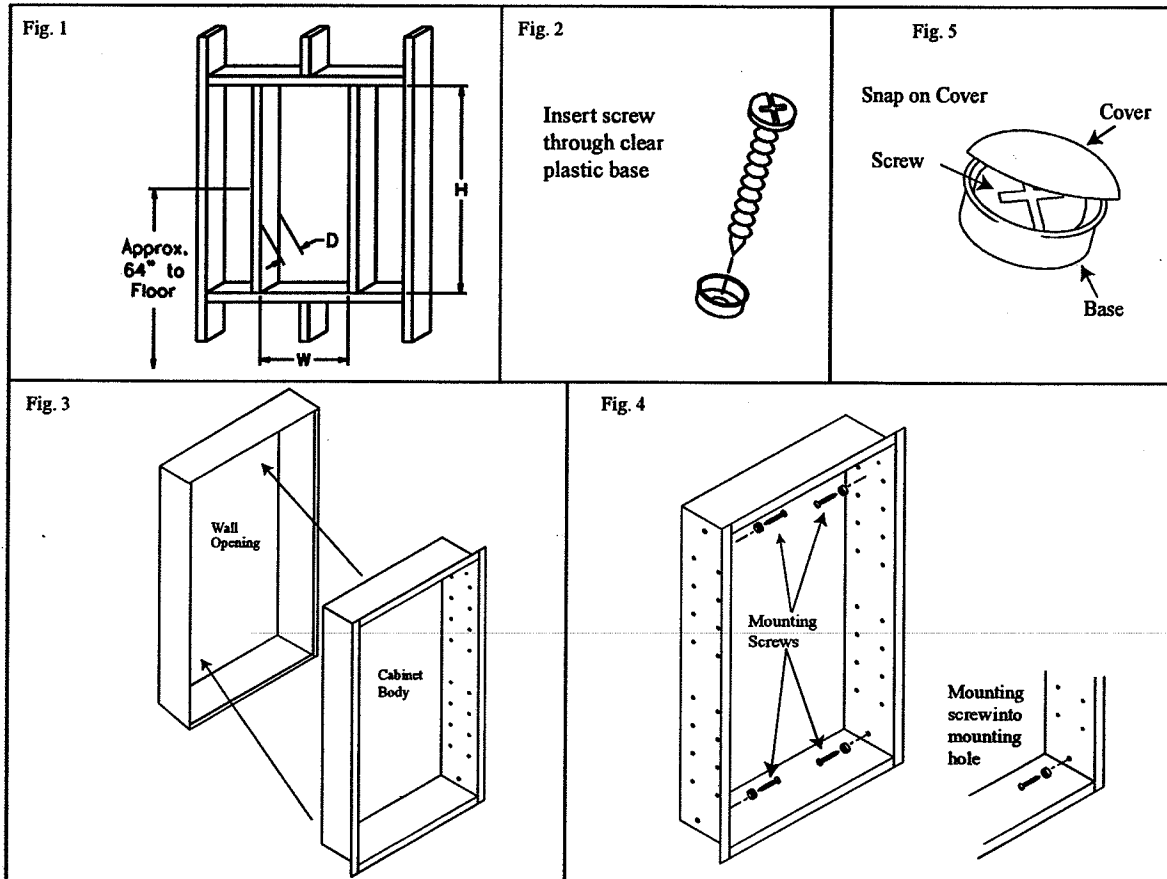
RECESSED MOUNTED, STEEL BATH CABINETS

MODEL NO.	WALL OPENING			OVERALL SIZE		
	W	H	D	W	H	D
72WH244	14 1/4	24	4	15	25	5
72WH246	14 1/4	24	6	15	25	7
72WH244F	14 1/4	24	4	15	25	5
72WH246F	14 1/4	24	6	15	25	7
72SS244D	14 1/4	24	4	15	25	5
72SS246D	14 1/4	24	6	15	25	7
72WH244D	14 1/4	24	4	15	25	5
72WH246D	14 1/4	24	6	15	25	7
72SS244DF	14 1/4	24	4	15	25	5
72SS246DF	14 1/4	24	6	15	25	7
72WH244DF	14 1/4	24	4	15	25	5
72WH246DF	14 1/4	24	6	15	25	7
72SS304D	23 1/4	29	4	24	30	5
72SS304DF	23 1/4	29	4	24	30	5
72WH304D	23 1/4	29	4	24	30	5
72WH304DF	23 1/4	29	4	24	30	5

INSTALLATION of CABINET

- Carefully remove all packing material. Place hardware packages, shelves and door aside until needed.
- Determine desired location of cabinet on wall. Mark wall to show wall opening size (see dimension chart). Generally, the recommended height to the center of the cabinet is 64" from the floor. (Fig. 1)
- CAUTION:** Wall studs, plumbing or electrical lines that interfere must be removed or relocated. Cut wall opening, being careful not to damage the surrounding wall surface. Insert framing to support all plaster board edges.

- Prepare the mounting screws by placing the screws into the clear plastic bases. (Fig. 2)
- Note: For ease of installation, an additional person is recommended. Insert cabinet into wall opening. (Fig. 3) Ensure the cabinet is plumb and level. If necessary use a carpenter's level and shim corners of cabinet. Secure the wall studs through the four (4) mounting holes inside cabinet, using the screws that have been placed into the plastic bases. (Fig. 4) Do not over tighten the mounting screws as the body side wall may bend and prevent proper shelf installation. Only tighten until they are flush with the body.
- Snap the screw covers over the screw bases. (Fig. 5)



ATTN: INSTALLER

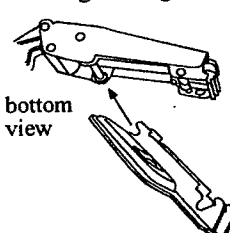
DO NOT OVER TORQUE (TIGHTEN) HINGE MOUNTING SCREWS. MANUALLY SCREW IN WITH PHILLIPS SCREW DRIVER UNTIL THE SCREW FEELS SECURE IN THE RIVET. IF USING A POWER DRILL, SET MAXIMUM TORQUE SETTING TO #5. OVERTIGHTENING THE SCREWS MAY/WILL CAUSE THE RIVET NUT TO LOOSEN FROM THE UNDERSIDE.

INSTALLATION of DOORS

1. Remove hinges and screws from hardware bag. Mount hinge unit on door as shown in Fig. 6 and Fig. 7 securing with screws provided.
2. Install the door by inserting door side of the hinge into the bracket on the body as shown;
 - A) 125 degree hinge
Insert door side of clip hinge as shown in Fig. 8
 - B) 170 degree hinge
Insert door side of clip hinge as shown in Fig. 9
3. Check door for proper alignment. If the door needs to be adjusted please refer to the adjustment procedures in Fig. 10 and Fig. 11. Door edges should be aligned with the face of the body.
4. 125 degree hinge only:
Snap on hinge cover plate. (Fig. 12)
5. 170 degree hinge only:
Snap on the black limit clip. (Fig. 13)

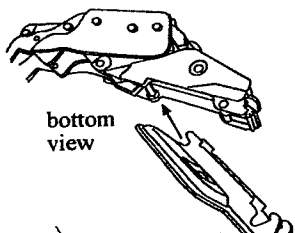
FAMILIARIZE YOURSELF WITH HINGE PRIOR TO MOUNTING.

125 Degree Hinge



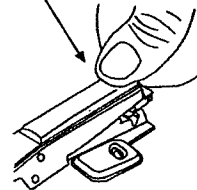
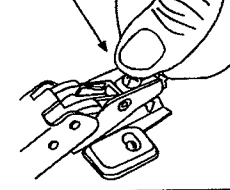
bottom view

170 Degree Hinge



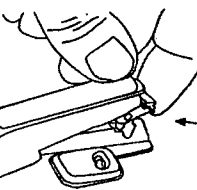
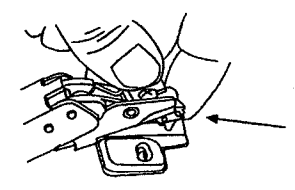
bottom view

The bar on the bottom of the hinge slides into the slot on the bracket.

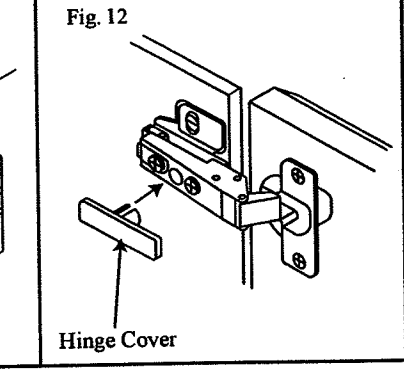
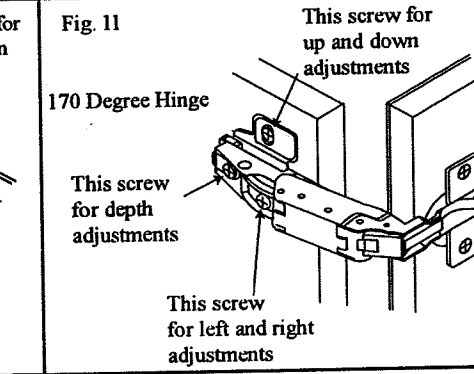
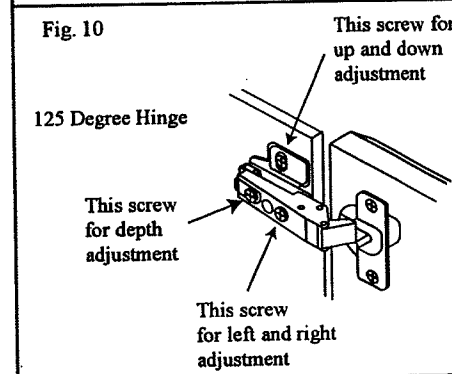
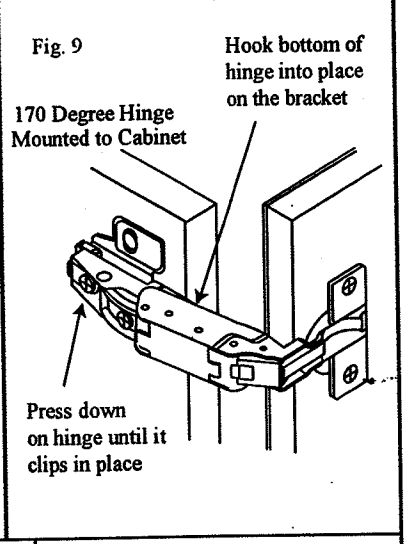
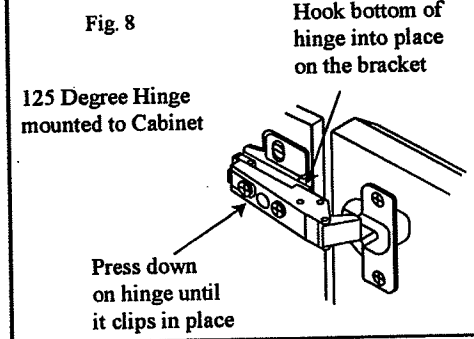
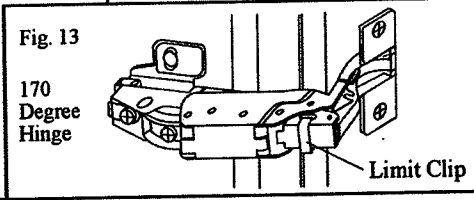
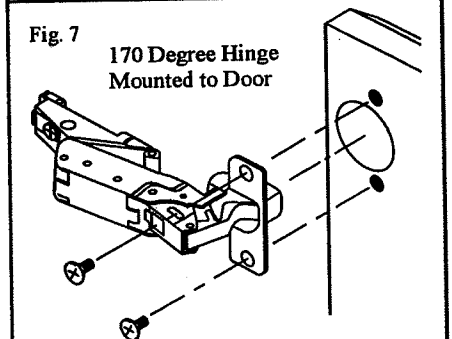
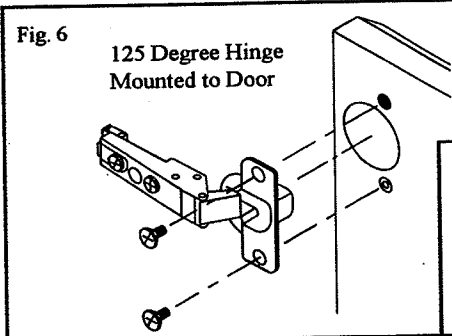



Press down to snap into place.

TO REMOVE HINGE

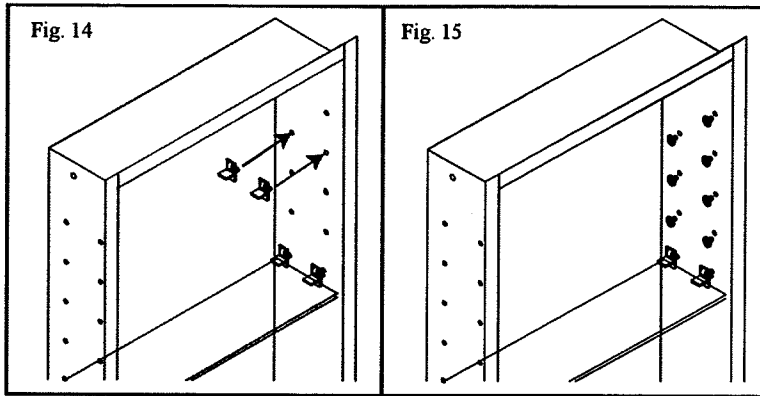
Press in lever, then lift up on clip to release hinge.



**INSTALLATION of SHELVES, HOLE PLUGS
AND BUMPERS**

Note: Carefully review the shelf location desired. The hole plugs are difficult to remove once inserted so it is important to locate the shelves in the proper location before the hole plugs are installed.

1. Select where you want the shelves to be placed.
2. Insert two (2) shelf brackets at each end of the shelf location. (Fig. 14)
3. Set shelves in place on the shelf brackets, pressing down on shelf to lock in place. (Fig. 14)
4. Remove hole plugs from hardware bag and place in remaining holes. (Fig. 15)



MIRROR CARE:

- Use only clean warm water and a clean, soft, lint-free cloth.
- DO NOT USE cleaners that contain solutions of ammonia, vinegar, or chlorine.
- DO NOT USE powdered cleansers or steel wool.
- Never spray cleaning agent directly on mirror especially on exposed edges and mirror backing. Apply cleaner to soft cloth and wipe mirror. Dry mirror thoroughly.
- Keep mirror dry. A well ventilated bath room is important.

Product Registration

- To register this product, visit www.nutone.com

BROAN-NUTONE ONE YEAR LIMITED WARRANTY

Broan-NuTone warrants to the original consumer purchaser of its product that such products will be free from defects in materials or workmanship for a period of one year from the date of original purchase. THERE ARE NO OTHER WARRANTIES, EXPRESS OR IMPLIED, INCLUDING, BUT NOT LIMITED TO, IMPLIED WARRANTIES OF MERCHANTABILITY OR FITNESS FOR A PARTICULAR PURPOSE. During this one-year period, Broan-NuTone will, at its option, repair or replace, without charge, any product or part which is found to be defective under normal use and service. THIS WARRANTY DOES NOT EXTEND TO FLUORESCENT LAMP STARTERS AND TUBES. This warranty does not cover (a) normal maintenance and service or (b) any product or parts which have been subject to misuse, negligence, accident, improper maintenance or repair (other than by Broan-NuTone), faulty installation or installation contrary to recommended installation instructions.

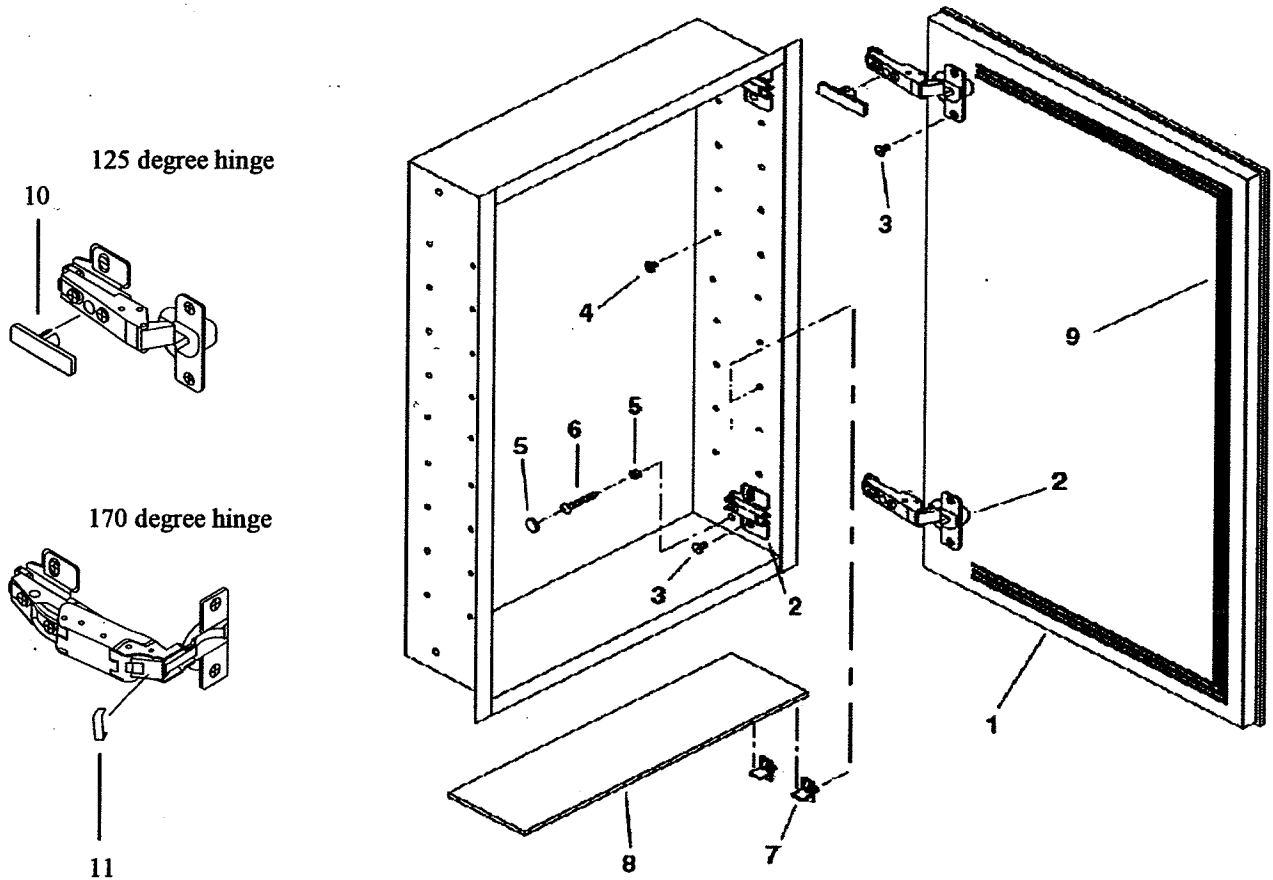
The duration of any implied warranty is limited to the one-year period as specified for the express warranty. Some states do not allow limitation on how long an implied warranty lasts, so the above limitation may not apply to you.

BROAN-NUTONE'S OBLIGATION TO REPAIR OR REPLACE, AT BROAN-NUTONE'S OPTION, SHALL BE THE PURCHASER'S SOLE AND EXCLUSIVE REMEDY UNDER THIS WARRANTY. BROAN-NUTONE SHALL NOT BE LIABLE FOR INCIDENTAL, CONSEQUENTIAL OR SPECIAL DAMAGES ARISING OUT OF OR IN CONNECTION WITH PRODUCT USE OR PERFORMANCE.

Some states do not allow the exclusion or limitation of incidental or consequential damages, so the above limitation or exclusion may not apply to you. This warranty gives you specific legal rights, and you may also have other rights, which vary from state to state. This warranty supersedes all prior warranties.

To qualify for warranty service, you must (a) notify Broan-NuTone at the address or telephone number stated below, (b) give the model number and part identification and (c) describe the nature of any defect in the product or part. At all time of requesting warranty service, you must present evidence of the original purchase date.

Broan-NuTone LLC, 926 West State Street, Hartford, WI 53027 (1-888-336-3948)



SERVICE PARTS

Key No.	Description	72WH244	72WH244F	72WH244D	72WH244DF	72WH246D	72WH246DF	72SS244D
1	Door Assembly	JRPWH24	JRPWH24F	JRPWH24D	JRPWH24DF	JRPWH24D	JRPWH24DF	JRPBK24D
2	Hinge Assy (Door)	JRP587	JRP587	JRP586D	JRP586D	JRP586D	JRP586D	JRP586D
3	Hinge Screw	10-163-01	10-163-01	10-163-01	10-163-01	10-163-01	10-163-01	10-163-01
4	Hole Plug	29-826-01	29-826-01	29-826-01	29-826-01	29-826-01	29-826-01	29-826-02
5	Screw Cover	29-827-01	29-827-01	29-827-01	29-827-01	29-827-01	29-827-01	29-827-02
6	Mounting Screw #8 x 1-1/2	*	*	*	*	*	*	*
7	Shelf Supports	29-842-01	29-842-01	29-842-01	29-842-01	29-842-01	29-842-01	29-842-02
8	Glass Shelf	J3116801	J3116801	J3116801	J3116801	J3117101	J3117101	J3116801
9	Bumper Strip	111-695-01	111-695-01	111-695-01	111-695-01	111-695-01	111-695-01	111-695-01
10	Hinge Cover (125 degree hinge)	42-596-01	42-596-01	none	none	none	none	none
11	Limit Clip (170 degree hinge)	none	none	42-594-01	42-594-01	42-594-01	42-594-01	42-594-01
	Hardware Bag Assembly	J2620501	J2620501	J2620501	J2620501	J2620501	J2620501	J2620502

Key No.	Description	72SS244DF	72SS246D	72SS246DF	72SS304D	72SS304DF	72WH304D	72WH304DF
1	Door Assembly	JRPBK24DF	JRPBK24D	JRPBK24DF	J10767603BK	J10767604BK	J10767603BK	J10767604BK
2	Hinge Assy (Door)	JRP586D	JRP586D	JRP586D	JRP587	JRP587	JRP587	JRP587
3	Hinge Screw	10-163-01	10-163-01	10-163-01	10-163-01	10-163-01	10-163-01	10-163-01
4	Hole Plug	29-826-02	29-826-02	29-826-02	29-826-02	29-826-02	29-826-01	29-826-01
5	Screw Cover	29-827-02	29-827-02	29-827-02	29-827-02	29-827-02	29-827-01	29-827-01
6	Mounting Screw #8 x 1 1/2	*	*	*	*	*	*	*
7	Shelf Supports	29-842-02	29-842-02	29-842-02	29-842-02	29-842-02	29-842-01	29-842-01
8	Glass Shelf	J3116801	J3117101	J3117101	J3119901	J3119901	J3119901	J3119901
9	Bumper Strip	111-695-01	111-695-01	111-695-01	111-695-04	111-695-04	111-695-04	111-695-04
10	Hinge Cover (125 degree hinge)	none	none	none	42-596-01	42-596-01	42-596-01	42-596-01
11	Limit Clip (170 degree hinge)	42-594-01	42-594-01	42-594-01	none	none	none	none
	Hardware Bag Assembly	J2620502	J2620502	J2620502	J2620502	J2620502	J2620501	J2620501

* Standard Hardware - may be purchased locally.
 Order Replacement parts by "Part Number" - not by "Key No."