



INSTALLATION INSTRUCTIONS

SLIDING DOOR SERIES – SURFACE MOUNTED

Product Information

Surface Mounted Sliding Door Features:

- 26 Gauge Galvanized Steel Body
- Integral Track System
- Polished Edge Sliding Mirror Doors



** Professional Installation is recommended to insure proper installation.

** Please do not stand your medicine cabinet on end while unboxing. Lie the cabinet down mirror side up prior to installation. Set on a clean surface, like a towel or carpet to avoid damage.

** Prior to discarding the packaging, locate shelves, door hardware, and screws where applicable.

Installation Steps

** Sliding door handles are located with Styrofoam of carton. Adhere to clean mirror with vinyl glazing tape included. Peel and stick onto surface of each mirrored door in opposite corners.

1. Center your cabinet in desired location on the wall. For secure application, locate the studs within the wall to mount the cabinet properly. If you cannot locate the studs, you will need to purchase additional hardware to secure your cabinet to the wall and/or open the wall to install additional bracing. (Figure 1)
2. Place the cabinet against the wall and mark screw holes as located on the interior of the cabinet. Placing a small level on the interior of the cabinet will determine if your marks are level. (Figure 2)
3. Allow for 1" of clearance on height elevation above any obstructions as illustrated in Figure 1. *Note the door will exceed the cabinet body by 1" on top and bottom of most cabinets. Refer to technical data for exact sizes.
4. For drywall/wood stud applications insert wood screws into pre-drilled mounting holes located on the interior sides of the cabinet. (Pro-tip do not overtighten with this will wrack the cabinet) use a level to test that the cabinet is plumb. (Figure 3)

NOTICE:

1. Do not install cabinet with damaged or broken glass. Contact the point of sale for further instructions on replacements.
 2. The installation instructions provided are for typical drywall/wood stud type walls. Additional hardware may/will be required for different wall types. Always make sure you adequately brace the cabinet for secure installation. Do not screw directly into drywall without proper bracing.
-

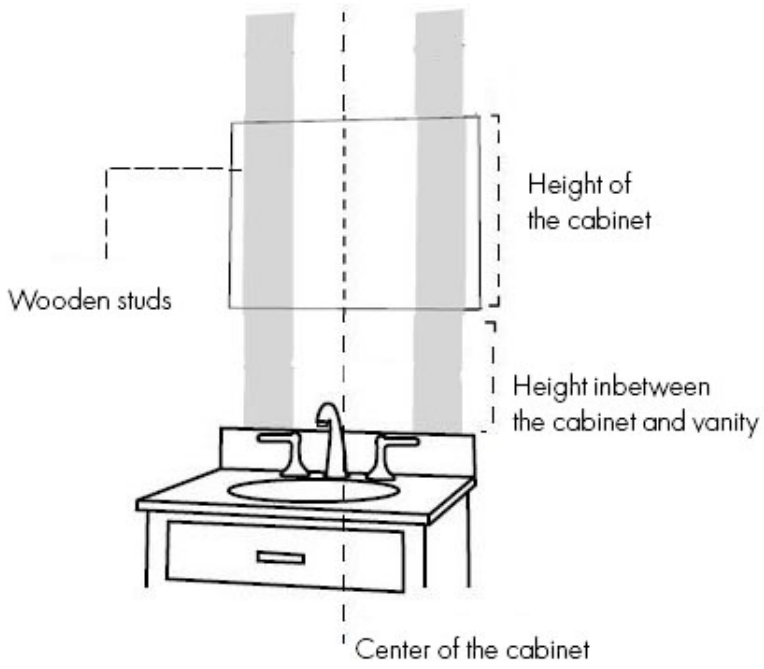


Fig. 1

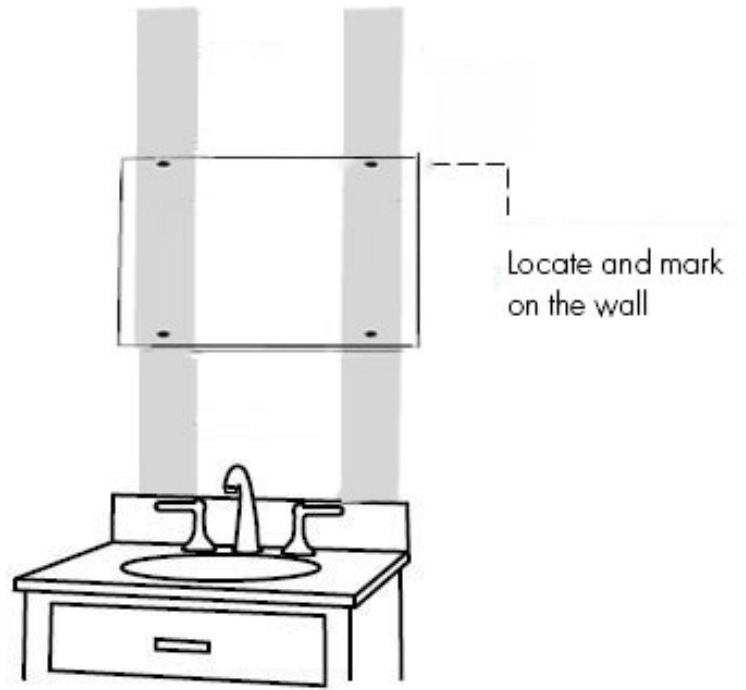


Fig. 2

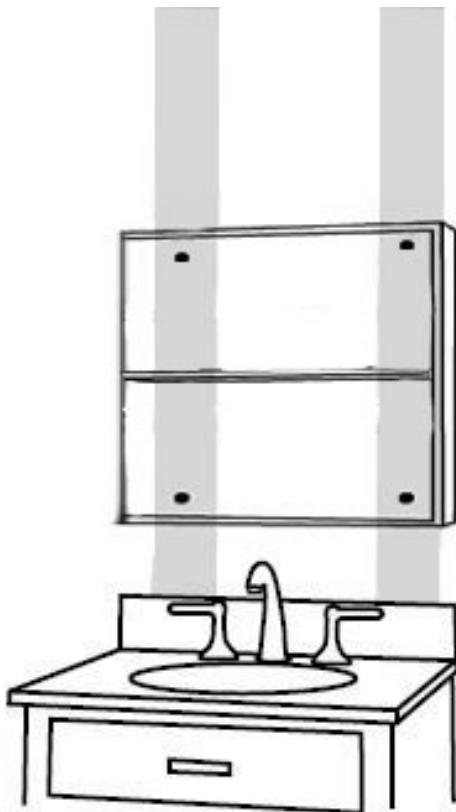


Fig. 3