



INSTALLATION INSTRUCTIONS

SLIDING DOOR SERIES – RECESSED MOUNTED

Product Information

Recessed Mounted Sliding Door Features:

- 26 Gauge Galvanized Steel Body
- Integral Track System
- Polished Edge Sliding Mirror Doors



** Professional Installation is recommended to insure proper installation.

** Please do not stand your medicine cabinet on end while unboxing. Lie the cabinet down mirror side up prior to installation. Set on a clean surface, like a towel or carpet to avoid damage.

** Prior to discarding the packaging, locate shelves, door hardware, and screws where applicable.

Installation Steps

1. Make sure the wall opening is plumb and level prior to installation. This will allow the door to operate properly. (Figure 1)
2. Allow for 1" of clearance on height elevation above any obstructions as illustrated in Figure 2.
3. Insert cabinet into wall opening making sure the flange covers the rough wall opening evenly. You may need to insert shims as needed (not included).
4. For drywall/wood stud applications insert wood screws into pre-drilled mounting holes located on the interior sides of the cabinet. (Pro-tip do not overtighten with this will wrack the cabinet) Use a level to test that the cabinet is plumb.

NOTICE:

-
1. Do not install cabinet with damaged or broken glass. Contact the point of sale for further instructions on replacements.
 2. The installation instructions provided are for typical drywall/wood stud type walls. Additional hardware may/will be required for different wall types. Always make sure you adequately brace the cabinet for secure installation. Do not screw directly into drywall without proper bracing.
-

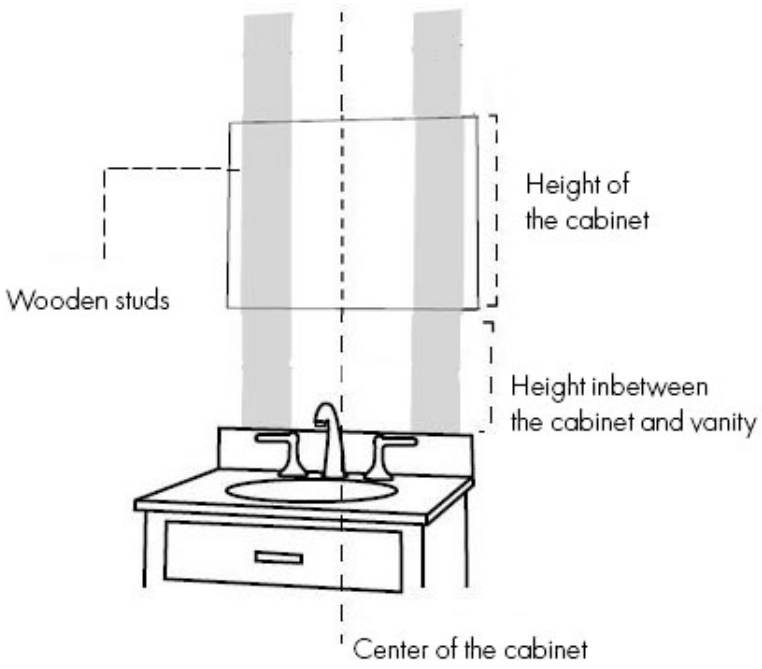


Fig. 1

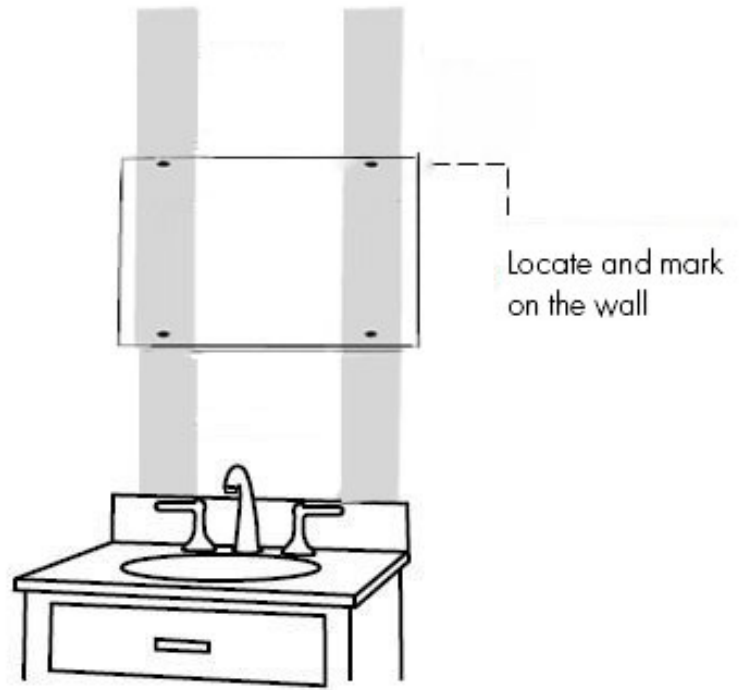


Fig. 2

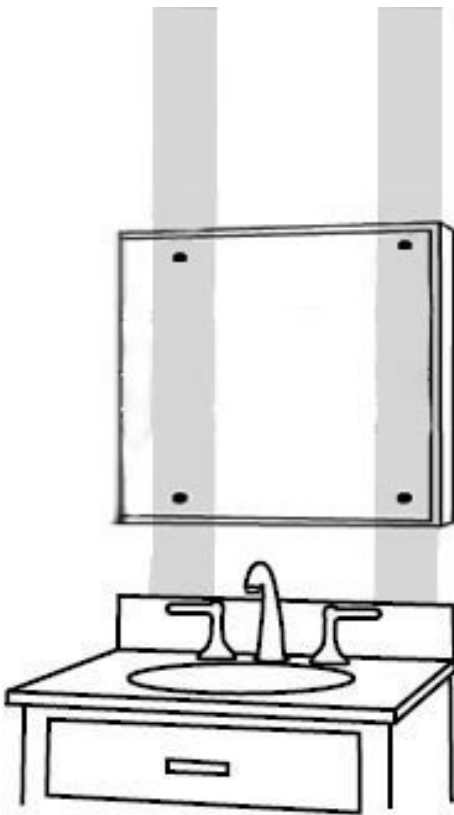


Fig. 3