



# DELUXE ILLUMINATED SERIES

## INSTALLATION GUIDE

### IMPORTANT SAFETY INSTRUCTIONS

*When using an electrical product, basic precautions should always be followed, including the following:*



#### **WARNING**

To reduce the risk of burns, fire, electric shock or injury, use this product only for its intended use as described in these instructions. Do not use attachments not recommended by the manufacturer. Never drop or insert any object into any opening.  
Do not use outdoors.



#### **WARNING**

Risk of electric shock. Connect this product to a properly grounded circuit only. See grounding instructions below.

##### **Grounding Instructions:**

This product must be connected to a grounded metal, permanent wiring system, or an equipment-grounding conductor must be run with the circuit conductors and connected to the equipment-grounding terminal or lead on the product.



#### **WARNING**

An electrical option mirror must be wired to a 20 Amp GFI (Ground Fault Interrupter) protected circuit when used in bathrooms and all other locations required by the National Electric Code.

**PLEASE SAVE THESE INSTRUCTIONS FOR FUTURE REFERENCE**



# INSTALLATION INSTRUCTIONS

## DELUXE ILLUMINATED SERIES — SURFACE MOUNTED

### Product Information

Surface Mounted Deluxe Illuminated Features:

- White Baked Enamel Steel
- Full Length Piano Hinge
- Magnetic Door Catch
- Adjustable Glass Shelves
- Hard-wired Standard/LED Lighting



---

\*\* Professional Installation is recommended to insure proper installation.

\*\* Please do not stand your medicine cabinet on end while unboxing. Lie the cabinet down mirror side up prior to installation. Set on a clean surface, like a towel or carpet to avoid damage.

\*\* Prior to discarding the packaging, locate shelves, door hardware, and screws where applicable.

---

### Installation Steps

1. Center the cabinet above the sink at the appropriate height and draw a leveled outline of your cabinet on the wall. (Figure 1)
2. Locate and mark the position of the wall studs to which you will fasten your medicine cabinet. You can find studs by listening for a solid sound as you knock on the wall or by using a stud finder. (Figure 2)
  - a. If the studs in your bathroom do not line up to the pre drilled mounting holes in the back of your cabinet, wood blocking can be installed between the studs using standard 2 x 4's. If wood blocking needs to be installed behind the finished wall, we recommend consulting a professional if you are unfamiliar with this type of installation.

**\*\* BEFORE FINISHING THE INSTALLATION PROCESS, IT IS ADVISED THAT AN ELECTRICIAN HARDWIRES THE LIGHTING UNIT. \*\***

3. Secure the cabinet to the wall studs with wood screws. Make sure the cabinet is level before attaching securely to the wall. To prevent warping do not overtighten the screws. (Figure 3)

### NOTICE:

1. Gently close the cabinet door to avoid potential injuries and damage. Damaged glass should be replaced right away.
  2. The cabinet must be installed onto a solid wall. (Thinner wood siding wall and hollow wall are not applicable)
-

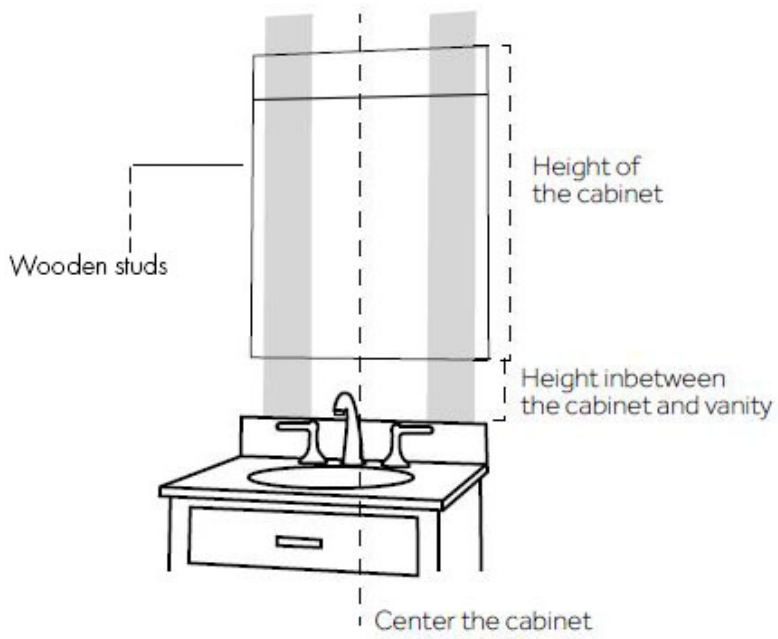


Fig. 1

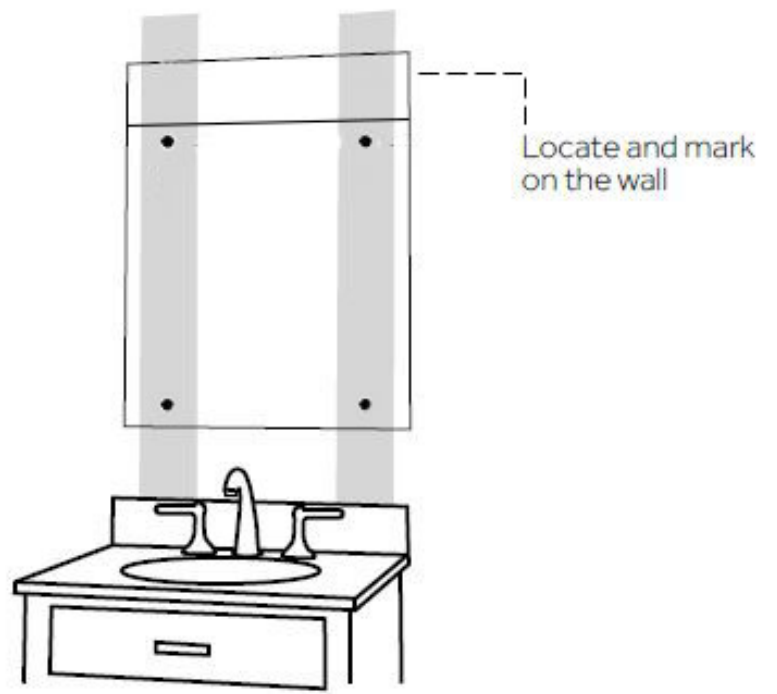


Fig. 2

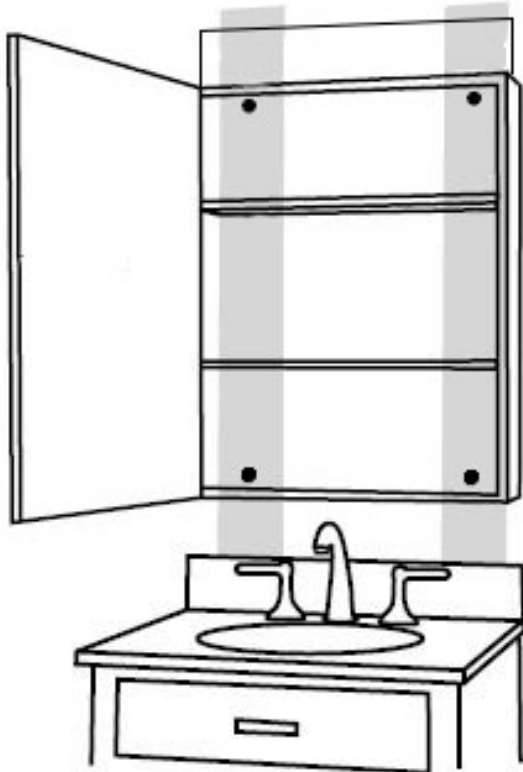


Fig. 3