



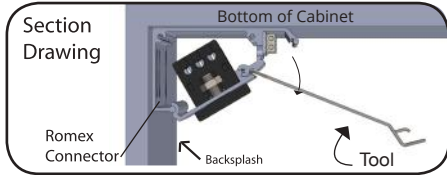
# **LIGHTED POWER STRIP** installation instructions

January 2019

Customer Service: 800-445-6404 | [www.TaskLighting.com](http://www.TaskLighting.com)  
Design Services & Tech Support: 866-848-9094 | [DesignAndSupport@TaskLighting.com](mailto:DesignAndSupport@TaskLighting.com)

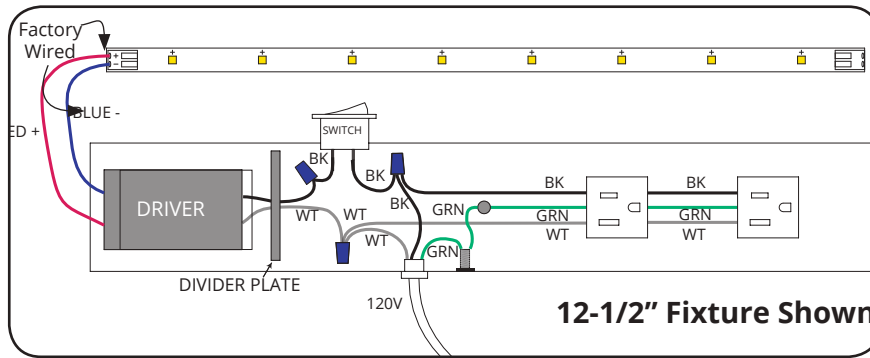
## General Guidelines

- Power source **MUST** be a 20 amp branch circuit protected by a GFCI at the panel or GFCI prior to the connection at LPS.
- All wiring must meet NEC<sup>®</sup> and local codes.
- Light valance recommended.
- Firmly insert plug straight into receptacle, applying equal pressure to both blades at the same time. **Gently** rock plug, if needed.



Turn power off at panel. **Carefully** pry open each piece with tool (provided). Insert Romex connector into knockout hole inside of back frame. Pull wires into LPS.

## Wiring for Combined Light and Receptacle Circuit - Non Dimmable



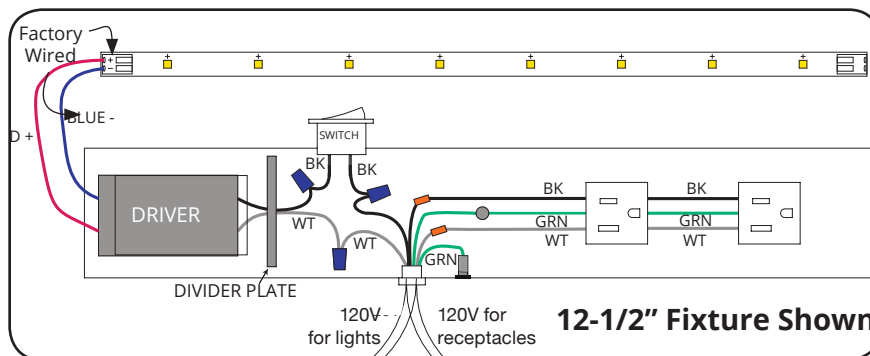
**Step 1** Secure LPS to wall by screwing into wall studs or use anchors provided. Connect BLACK Romex wire to BLACK wire from receptacles and switch. Connect WHITE Romex wire to WHITE wire from receptacles and driver. Ground all GREEN wires to PEM studs inside of back frame.

**Step 2** When connecting 2 or more LPS fixtures, run Romex from fixture to fixture. Ground each section to the next.

**Step 3** To terminate last LPS, use wire nuts on ends of wires.

**Step 4** Snap cover in place and turn power on.

## Wiring for Separate Light and Receptacle Circuits



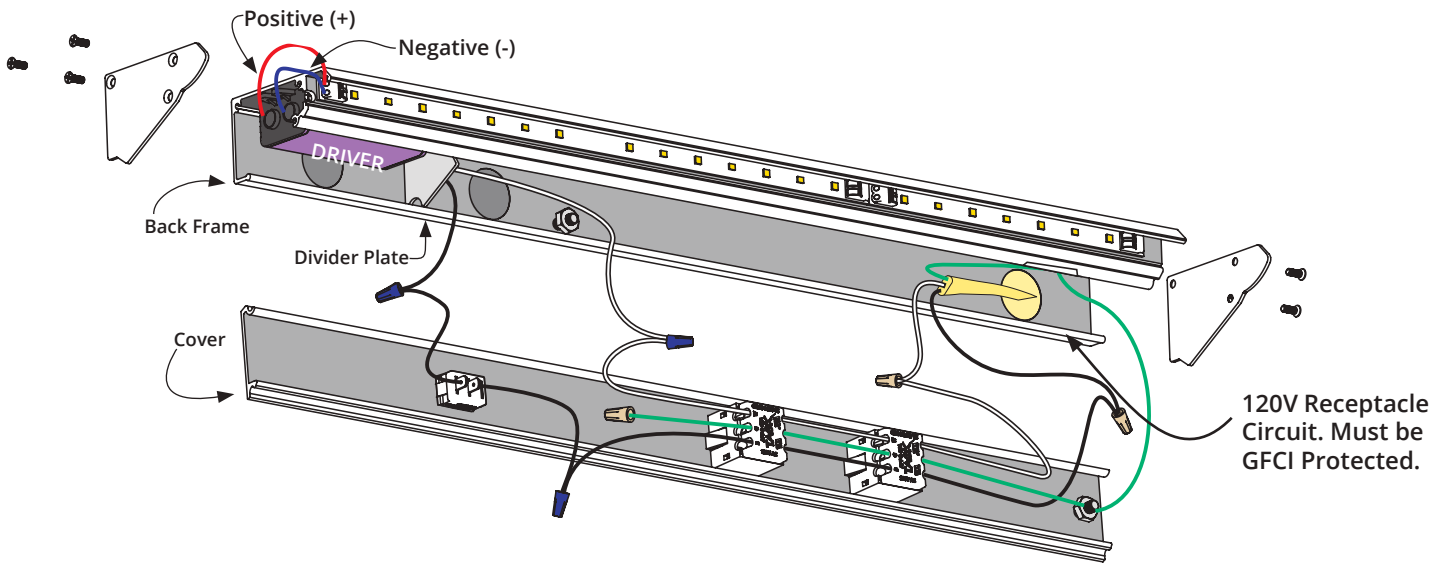
**Step 1** Secure LPS to wall by screwing into wall studs or use anchors provided. If running two circuits, one for receptacles, one for lighting, connect fixture wires to appropriate Romex wires. BLACK to BLACK. WHITE to WHITE. Ground all GREEN wires to PEM studs inside of back frame.

**Step 2** When connecting 2 or more LPS fixtures, run Romex from fixture to fixture. Ground each section to the next.

**Step 3** To terminate last LPS, use wire nuts on ends of wires.

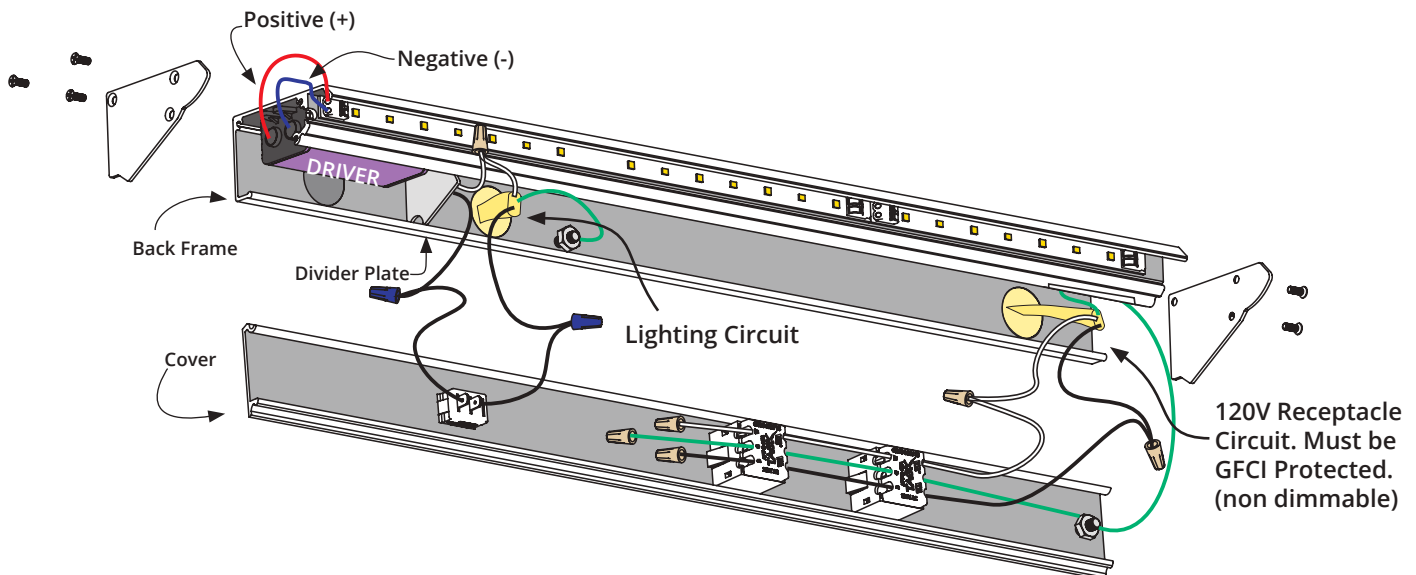
**Step 4** Snap cover in place and turn power on.

**Wiring Diagram for Combined Light & Receptacle Circuit - Non Dimmable**



**18-1/2" Fixture Shown**

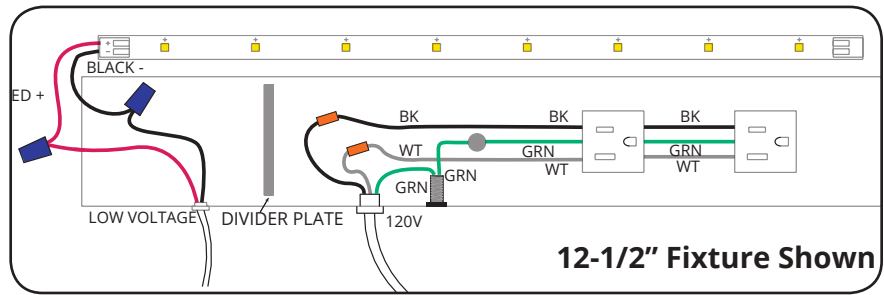
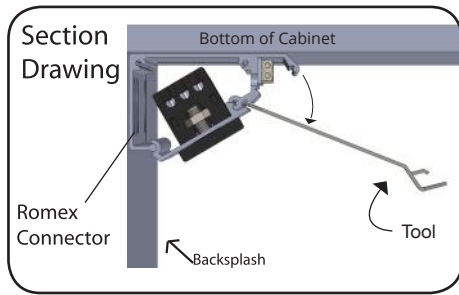
**Wiring Diagram for Separate Light & Receptacle Circuits**



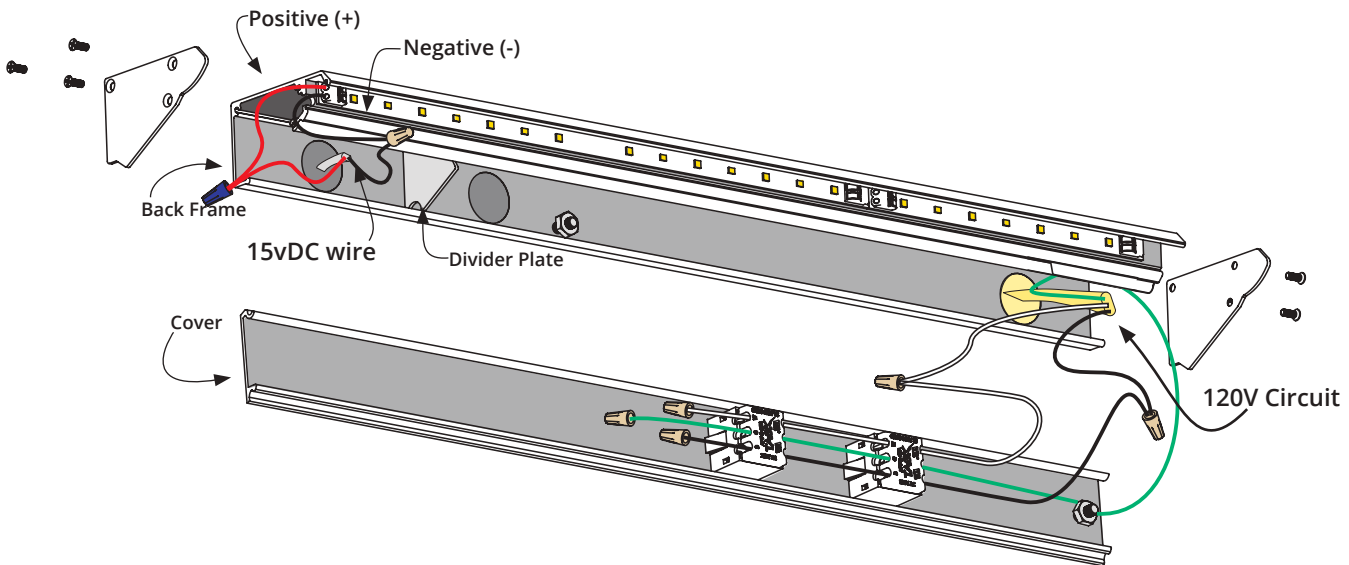
**18-1/2" Fixture Shown**

### General Guidelines

- Power source **MUST** be a 20 amp branch circuit protected by a GFCI at the panel or GFCI prior to the connection at LPS.
- All wiring must meet NEC<sup>®</sup> and local codes.
- Light valance recommended.
- Firmly insert plug straight into receptacle, applying equal pressure to both blades at the same time. **Gently** rock plug, if needed.



Turn power off at panel. **Carefully** pry open each piece with tool (provided). Insert Romex connector into knockout hole inside of back frame. Pull wires into LPS.



**18-1/2" Fixture Shown**

### Remote Power Supply- 120V Entry

- Step 1** Secure LPS to wall by screwing into wall studs or use anchors provided. Connect BLACK to BLACK, WHITE to WHITE. Ground all GREEN wires to PEM studs inside of back frame.
- Step 2** When connecting two LPS, run Romex from fixture to fixture. Ground each section to the next.
- Step 3** To terminate last LPS, use wire nuts on ends of wires.

### Remote Power Supply-Low Voltage Entry

- Step 4** Using appropriate knockout hole, pull low voltage wire from remote power supply into the low voltage space, connect BLACK wire (negative) to BLACK wire from lights and RED wire (positive) to RED wire.
- Step 5** Snap cover in place and turn power on.