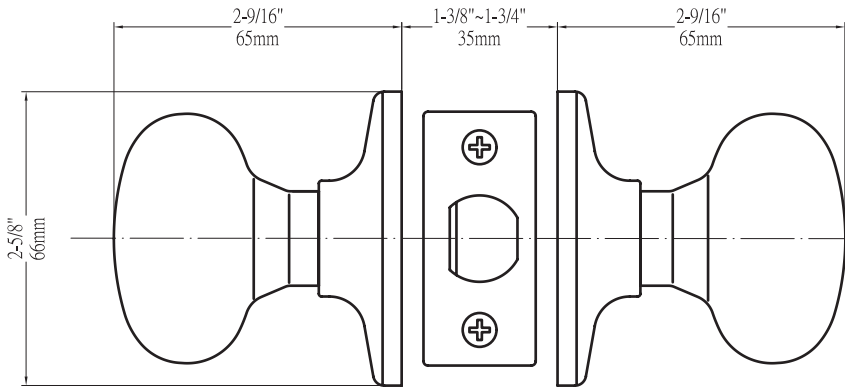


SAXON

Old World Quality New Age Design



DIMENSIONS



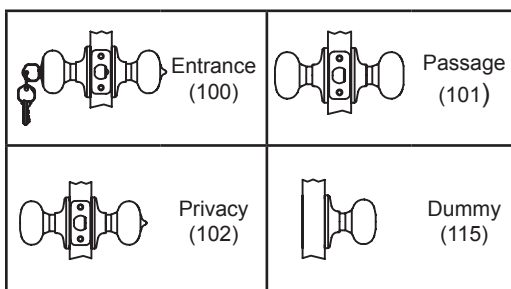
STANDARD SPECIFICATIONS

Door Prep	Cross bore: 2-1/8" Edge bore: 1" Latch face: 1" x 2-1/4"	Latches	Entrance: 2-3/8" & 2-3/4" adjustable (9073) Passage/Privacy: 2-3/8" & 2-3/4" adjustable (9074) Faceplate: 1" x 2-1/4" round corner Bolt: 1/2" throw
Backset	Fits 2-3/8" and 2-3/4"	Strikes	1-3/4" x 2-1/4" full lip round corner (9103)
Door Thickness	1-3/8" ~ 1-3/4" door standard	Wood Screws	Combination screws that suit both wood or metal door mounting
Cylinder	KW1 5-pin standard ; SC1 5-pin optional Entries packed KA5	Door Handing	Not Required

PRICING

Model	Function	WT/ LB	CTN QTY		US3 Bright Brass	US15 Satin Nickel	US15A Antique Nickel	US5 Antique Brass	US26 Polished Chrome	US10B Oil Rubbed Bronze	US10BE Edged Bronze	BLACK
100T-SA	Entrance	27 Lbs	20 Pcs	Item No.	KS1003	KS1001	KS1008	KS1005	KS1006	KS1000	KS1007	KS1004
				List Price								
101T-SA	Passage	22 Lbs	20 Pcs	Item No.	KS1013	KS1011	KS1018	KS1015	KS1016	KS1010	KS1017	KS1014
				List Price								
102T-SA	Privacy	22 Lbs	20 Pcs	Item No.	KS1023	KS1021	KS1028	KS1025	KS1026	KS1020	KS1027	KS1024
				List Price								
115-SA	Dummy	9 Lbs	20 Pcs	Item No.	KS1053	KS1051	KS1058	KS1055	KS1056	KS1050	KS1057	KS1054
				List Price								

FUNCTIONS



THE DELANEY CO.

Copyright © THE DELANEY CO. All rights reserved.